



Euramco Safety



UB20/ UB30



Owner's Manual



Euramco Safety, Inc.
2746 Via Orange Way
Spring Valley, CA 91978 USA
USA 1.800.4.RAMFAN
Tel +1.619.670.9590
Fax +1.619.670.7345
theteam@euramcosafety.com

www.EuramcoSafety.com

SM-UB20 Rev A

Preface

Thank you for purchasing the RAMFAN® UB20 or UB30 utility blower manufactured by Euramco Safety, Inc.

For more than 30 years Euramco Safety has been on the cutting edge of industrial, fire, and marine ventilation products. Each and every one of our blower/exhausters, smoke ejectors, PPV & LSV fans and accessories represent the finest technologies available. Every product is constructed to demanding and exact specifications for quality, performance, and reliability.

When human life depends on having a fan that can deliver clean, safe air, you have only one choice you can trust: **RAMFAN.**

Explore our website and online catalog at www.EuramcoSafety.com and discover how RAMFAN can make a difference in the field!

This manual covers operation and maintenance procedures for the RAMFAN UB20 and UB30 utility blower/exhausters.

All product information in the publication is based on the most current information available at the time of printing. Euramco Safety, Inc. reserves the right to make changes at any time without notice.



READ MANUAL BEFORE STARTING FAN FOR FIRST TIME!



Table of Contents

1 Specifications/Warnings.....	3
2 Features & Benefits	3, 4
3 Safety Precautions	4, 5
4 Operation.....	5
5 Maintenance.....	5, 6
6 Troubleshooting	6
7 Spare Parts.....	7, 8

1 | Specifications/ Warnings

MODEL	UB20		UB30	
Part Number	ED7002	ED8002	EJ4002	EJ8002
Airflow	980 cfm	1392 m ³ /h	2420 cfm	3429 m ³ /h
Power	115V, 50/60Hz	230V, 50/60Hz	115V, 50/60Hz	230V, 50/60Hz
Power input max. (Start / Run)	9.5A / 2.5A	4.8A / 1.3A	33A / 8A	17A / 5A
Motor output max.	1/3 Hp	0.25 kW	1 Hp	0.8kW
Protection class	IP55	IP55	IP55	IP55
Height x Width x Length	14 x 12 x 13 in	36 x 31 x 33 cm	20 x 15.5 x 12 in	51 x 39 x 31 cm
Weight	17 lbs	8 kg	37 lbs	17lbs
Sound level @ 3' / 1 m	74 dB(A)	74 dB(A)	90 db(A)	90 db(A)

* Specifications are subject to change without notice. Some values are approximate.



Thermally Protected for Indoor/Outdoor Use

To protect the user, this unit is equipped with thermal overload protection and automatic reset. Motor will restart without warning after protector trips. If motor thermal protection trips, disconnect unit and determine cause.

Do NOT change make or model of fan or motor.

2 | Features & Benefits

RAMFAN® combines high performance turbofan design with high strength polymers to create a line of rugged, portable turbo blowers. The UB-Line is ideal for general use, confined space ventilation and delivers the highest airflow in its class. The double-wall, polyethylene casing is light-weight, corrosion and chemical resistant and handles the bumps and falls of any job site.

The 8"/20 cm UB20 turbo blower is at the heart of the RAMFAN industrial ventilation systems that provide you with the complete solution for common confined space ventilation applications. The multi-purpose blower and exhauster delivers powerful airflow in a compact and lightweight package.

- Compact & Lightweight
- Integrated Duct Adapter
- Cord Strap
- 15'/4.6 m Extended Reach Power Cable
- Ultra Quiet
- Easily attaches Quick-Couple™ Duct Canister for Exhaust/Suction

The 12"/30 cm UB30 takes design cues from the UB20 in a larger form. The larger blower/exhauster produces a higher airflow for use in larger confined spaces. The larger the area you are trying to ventilate the more airflow you'll

need. The RAMFAN® UB30 has unmatched performance for a fan its size. It is built with a durable housing to withstand industrial workspace environments.

- 2 Integrated Duct Adapters
- Dual Voltage/ Dual Frequency
- Stackable design feature
- Cord Strap
- 15'4.6 m Extended Reach Power Cable

3 | Safety Precautions

Before Operation

Before starting for the first time: DO NOT START fan if there are any signs of shipping damage, particularly to blade, guards, or housing. If ANY damage is suspected, STOP and call your dealer immediately.

Keep children away: Do not allow children to play with or around the unit, which could result in injury. Be sure the unit is inaccessible to children when not attended.

Keep unit grounded: Always operate the unit with a grounding plug and a grounded electrical outlet. A grounding plug is an essential safety feature that helps reduce the risk of shock or fire. Always ensure the switch is in the OFF position prior to connecting to power.

Protect power cord from damage: Use cords of suitable size for amperage load. Never operate a unit with a damaged power cord, as this may lead to electrical or fire hazards.

Extension Cords: Extension cords must be grounded and able to deliver the appropriate voltage to the unit.

Do not use speed control device: To reduce the risk of fire or electric shock, do not use fans with a solid-state speed control device.

Handle with care: Do not drop or throw the unit. Rough treatment can damage the components or wiring and create a hazardous condition.

Run on stable surface: Start only if blower is sitting in a stable and upright position. While on level surface and running at full speed, the blower should not move around. If unit is moving, check rubber feet for damage and replace if necessary.

Secure during transport: When transporting in a vehicle, secure the unit to prevent sliding and possible injury to vehicle occupants.

During Operation

Airflow Direction: When using the blower, note the directional airflow indicator on the external housing.

Keep out of water: Never operate the unit in pooled or standing water, as this may create a risk of injury from electrical shock. Do not store outdoors. If electrical wiring or components become wet, thoroughly dry them before using the unit.

Safety: Proper ear and eye protection must be worn while blower is running. Keep fingers and hands clear of blade. Do not move blower while it is running.

Keep air intakes clear: Do not clog or block air intakes, this may occur if operated too close to loose lightweight objects such as clothing or leaves. This can cause the unit to overheat and result in a fire or electrical hazard.

Keep away dust and dirt: Do not allow dust, dirt, or other particles to be drawn into the air intakes. Dirt in the motor can cause it to overheat, resulting in a fire or electrical hazard. If the motor gets dirty, clean it using an air hose.

Allow repair only by qualified person: Immediately stop the unit upon hearing excessive mechanical noise or vibration. Do not attempt to disassemble or repair the unit if you are not qualified to do so. You can perform regular maintenance or troubleshooting, however complex problems need to be repaired by an authorized service technician.

For information about authorized repair, call Euramco Safety Customer Service at +1 (619) 670-9590.

4 | Operation

1. Read the Owner's Manual completely before starting fan.
2. Wear both eye and ear protection.
3. Position the fan on a level surface.
4. Plug in to a standard outlet with the correct voltage and amperage for the unit. Set the switch to ON. Check for proper operation before leaving the unit unattended. Do not move or carry the blower while it is running.

5 | Maintenance

LOCK-OUT / TAG-OUT: When performing any maintenance, always follow all additional safety precautions that your company may have for lock-out / tag-out procedures.

POWER OFF: Always turn the power **OFF** and unplug the unit before performing maintenance procedures. All the service procedures below are to be executed with the unit unplugged. Perform before each use or as needed.

DO NOT DISSASSEMBLE blower for maintenance reasons.

INSPECT ELECTRICAL SYSTEM: Inspect the electrical cord for damage at regular intervals. Periodically, inspect internal wiring for bare wires, insecure fasteners, and discoloration. Remove and repair any damaged wiring as needed. Failure to do so may lead to electrical shock or a fire hazard.

CLEAN AIR INTAKES: Clean off any accumulated lint or other materials from the finger guards. A build up will reduce the airflow and may cause the motor to overheat and become a fire hazard. NEVER operate fan with damaged or missing finger guards.

CLEAN EXTERIOR: Clean fan periodically to remove accumulated dust or particles using a commercially available biodegradable cleaning solution. DO NOT use solvents containing chlorinated hydrocarbons (i.e. MEK, Acetone)

EXTERIOR INSPECTION: Evaluate exterior components and make sure they are properly installed. Inspect the fan for loose fasteners at least once every 6 months depending on frequency of use. Tighten any loose fasteners immediately. DO NOT overtighten fasteners.

Listen to the unit for abnormal sounds. Check rubber feet for excessive wear or breakage. Contact Euramco Safety for replacement parts and installation instructions.

DO NOT WET MOTOR OR WIRING: To prevent damage to electrical components, do not use a duct or pressure washer to clean a blower. If electrical components do become wet, dry them immediately.

6 | Troubleshooting

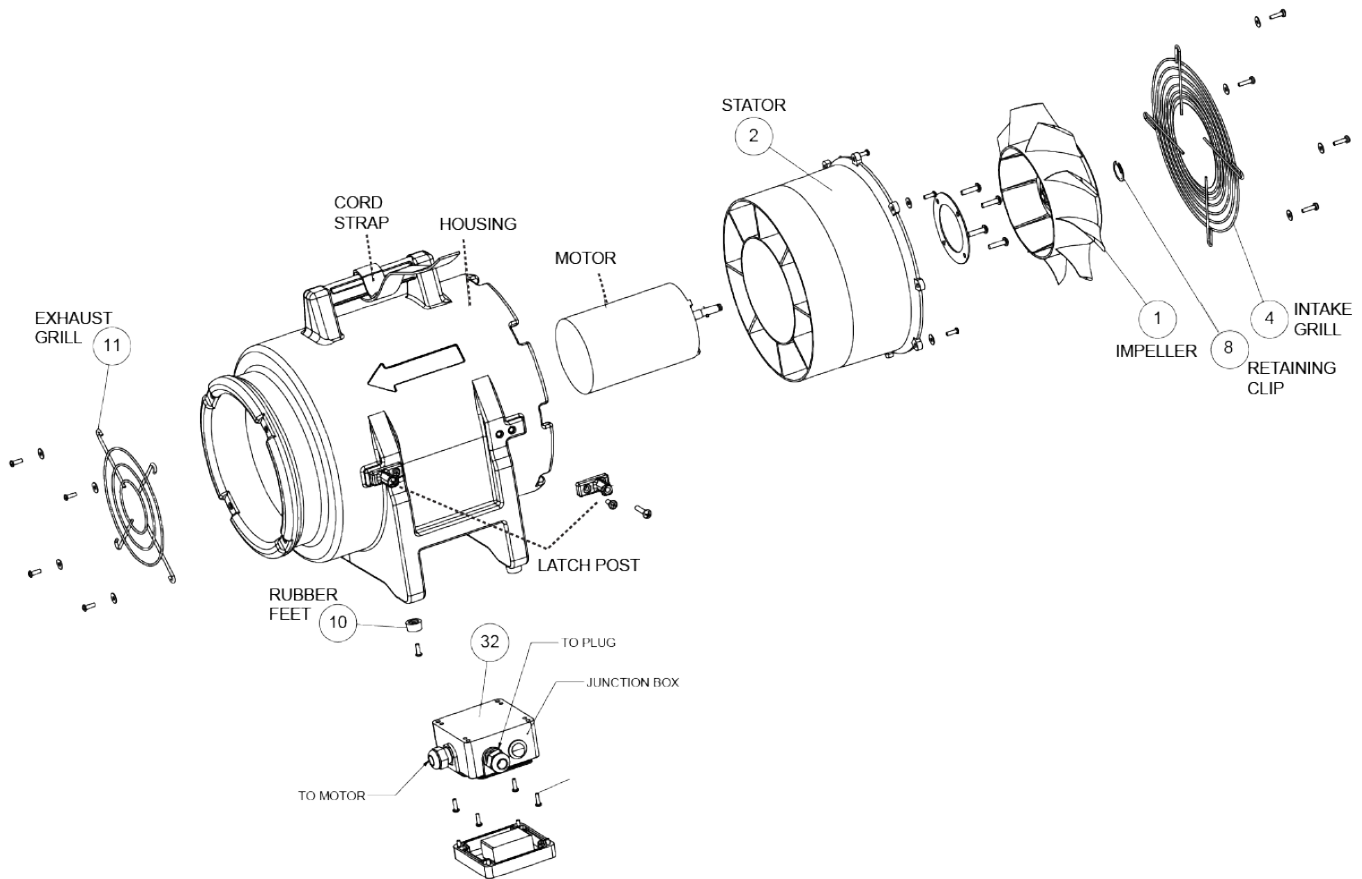
WARNING: Execute all the service procedures below with the blower OFF and power cord unplugged.

"FS" or Field Solutions can be handled by the technician in the field | "AST" or Authorized RAMFAN Service Technician

PROBLEM	CAUSE	See Above	SOLUTION
Motor won't run	No power to machine Switch not turned on Blower impeller jammed Intake or exhaust blocked Thermal cut off has been tripped Switch is broken Loose wiring	FS FS FS FS FS AST AST	Plug in the unit; check circuit breaker or fuse Turn on the switch Remove material jamming wheel Turn machine off and allow to cool, then remove blockage Allow blower to cool down and motor will restart automatically Call distributor or Euramco for replacement switch Check wiring and tighten as needed
Motor runs but impeller turns erratically or scrapes	Severe jolt has caused motor mount to bend and impeller to rub Severe jolt caused motor to slip out of mount and impeller to rub	AST AST	Remove motor from housing, then replace or repair bent motor mount Remove motor from housing, then re-install motor into mount correctly
Unit vibrates excessively	Accumulation of soil on impeller Blower impeller has lost balance Blower impeller has been bent Bent motor shaft	FS AST AST AST	Clean blower impeller Balance or replace blower impeller Replace blower impeller Replace motor

7 | Spare Parts

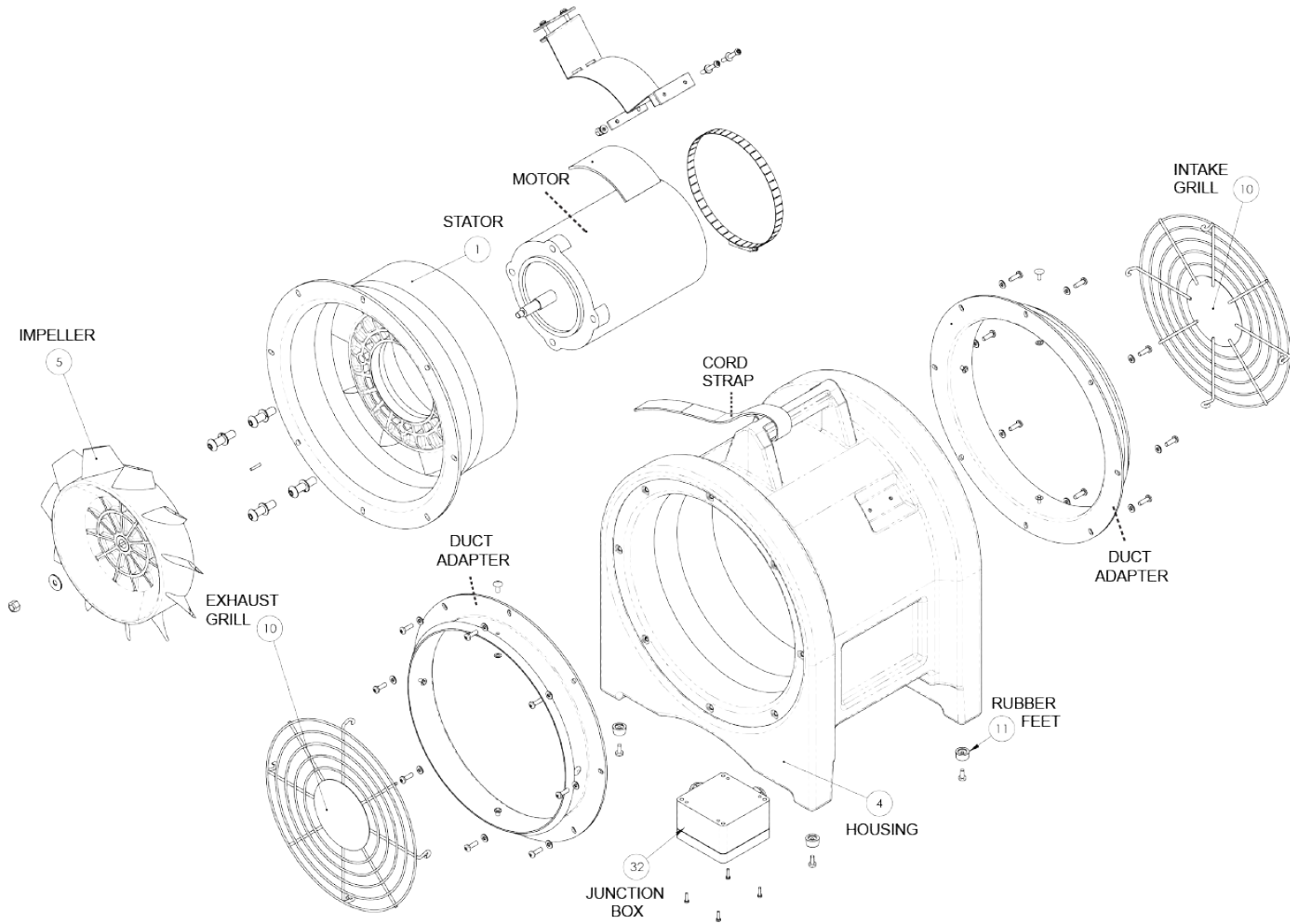
Contact factory for replacement parts and installation instructions.



Model UB20

Corresponding Bubble No.	RAMFAN P/N	Description
1	BL011	Impeller
2	ST010	Stator
4	ED4001	Intake Grill
8	EZP80783007	Retaining Clip
10	FZ-9540K46	Rubber Foot w/washer (4)
11	ED4003	Exhaust Grill
32a	ED0108	Junction Box complete with mounting parts and cable (115V)
32b	ED0208	Junction Box complete with mounting parts and cable (230V)

To order spare parts call Euramco Safety +1.619.670.9590 or email theteam@euramcosafety.com



Model UB30

Corresponding Bubble No.	RAMFAN P/N	Description
1	ST030	Stator
4	EJ4001	Housing
5	BL016	Impeller
10	EB4001	Intake/ Exhaust Grill
11	FZ-9540K58	Rubber Foot w/washer (4)
32a	ED0408	Junction Box complete with mounting parts and cable (115V)
32b	ED0508	Junction Box complete with mounting parts and cable (230V)

To order spare parts call Euramco Safety +1.619.670.9590 or email theteam@euramcosafety.com

