



## O & M Manual



# *Series D12*

## Toxic Gas Transmitter With H10 Smart Sensor

### Home Office

Analytical Technology, Inc.  
6 Iron Bridge Drive  
Collegeville, PA 19426  
Phone: 800-959-0299  
610-917-0991  
Fax: 610-917-0992  
Email: [sales@analyticaltechnology.com](mailto:sales@analyticaltechnology.com)  
Web: [www.Analyticaltechnology.com](http://www.Analyticaltechnology.com)

### European Office

ATI (UK) Limited  
Unit 1 & 2 Gatehead Business Park  
Delph New Road, Delph  
Saddleworth OL3 5DE  
Phone: +44 (0)1457-873-318  
Fax: + 44 (0)1457-874-468  
Email: [sales@atiuk.com](mailto:sales@atiuk.com)



## Table of Contents

<b>INTRODUCTION</b> .....	<b>5</b>	Sensor Setup Page .....	33
<b>COMPONENTS</b>		Sensor More Page .....	34
.....	<i>E</i>	Changing H10 Sensors and C18 Generators .....	34
<i>RROR! BOOKMARK NOT DEFINED.</i>		Removing Sensors.....	34
D12 Toxic Transmitter .....	5	Installing Sensors.....	34
H10 Smart Sensor and C18 Gas Generator .....	5	Removing Generators .....	35
<b>SPECIFICATIONS</b> .....	<b>8</b>	Installing Generators .....	35
<b>INSTALLATION</b> .....	<b>9</b>	Bump-Testing .....	36
<b>MECHANICAL MOUNTING</b> .....	<b>9</b>	Calibration .....	37
Transmitter .....	9	Calibration Frequency.....	37
H10 Sensor Duct-Mount Option .....	10	Zero Calibration .....	37
<b>ELECTRICAL CONNECTIONS</b> .....	<b>12</b>	Span Calibration .....	37
Board Stack.....	12	Calibration Terminology .....	37
Power Supply Board Connections .....	13	Calibration Kits.....	37
External Connections .....	14	Indications During Sensor Calibration .....	37
ATI A17/B14 Monitor(s), 2-Wire Mode.....	14	Calibration Exceptions .....	37
ATI A17/B14 Monitor(s), 3-Wire Mode.....	15	Zero Calibration Procedure .....	38
Power Only, No Output Options .....	16	Span Calibration Procedure .....	39
Current Loop Receiver, Single Supply (2-Wire Mode)		Calibration of Duct-Mount H10 Sensors .....	40
.....	17	Sensor Calibration Records .....	41
Current Loop Receiver, Single Supply (3-Wire Mode)		Auto-test .....	42
.....	18	Auto-test Controls .....	44
Current Loop Receiver, Dual Supplies (4-Wire Mode)		Auto-test Controls .....	44
.....	19	Auto-test Setup .....	44
HART Transmitter, Point-to-Point (2-Wire).....	20	Auto-test Setup Options.....	45
HART Transmitter, Point-to-Point, Active Source (3-		Next Auto-test .....	45
Wire) .....	21	Auto-test History .....	46
Modbus RS485 Multi-drop .....	23	Gas Generator Information .....	46
Computer RS232 .....	24	Auto-test Sequence .....	46
Remote Sensor Wiring .....	25	<b>ALARMS AND RELAYS</b> .....	<b>48</b>
Duct-Mount Sensor Wiring .....	26	Gas Concentration Alarms .....	48
Heater Option for Sensor/Generator Housing.....	27	Manual Alarm Reset .....	48
CPU Board Configuration.....	28	Remote Reset .....	48
<b>OPERATION</b> .....	<b>29</b>	Gas Alarm Operation .....	49
<b>OPERATOR INTERFACE</b> .....	<b>29</b>	Gas Alarm Setup.....	50
Interface Panel .....	29	Fault Alarms .....	52
Startup Review Sequence.....	30	Corrective Actions.....	52
Main Display Page .....	31	Alarm Relays.....	54
Five-minute Time-out Rule .....	31	Relays Setup.....	55
Esc Key Operation (Main Display Page) .....	31	Testing Alarm Relays.....	55
Fault Indication (Main Display Page) .....	31	Relay Test Page .....	55
Main Reading .....	32	Inhibiting Alarms.....	56
Variable Editing .....	32	Alarm Inhibit Setup.....	56
<b>SENSORS AND GENERATORS</b> .....	<b>33</b>	<b>4-20mA OUTPUT</b> .....	<b>57</b>
Sensor Setup.....	33	Output Overrides.....	57
		4-20mA Setup .....	57
		4-20mA Control.....	58
		Loop Adjustment .....	58
		<b>DATA-LOG</b> .....	<b>59</b>
		Data-log Access .....	59

Data-log Setup .....	59	Modbus .....	69
Data-log Graphic Report .....	60	Transmitter Version .....	69
Data-log Tabular Report .....	60	Restart .....	70
Data-log Printout .....	61	Resets .....	70
<b>DISPLAY.....</b>	<b>62</b>	<b>SPARE PARTS .....</b>	<b>71</b>
Display Setup .....	62	<b>APPENDIX A. ....</b>	<b>74</b>
<b>SYSTEM .....</b>	<b>63</b>	<b>PRINTING DATA LOG REPORTS .....</b>	<b>74</b>
System Access .....	63	Serial Connection .....	74
Real-time Clock .....	63	Communication Setup Page.....	74
Clock Setup.....	63	Flow Control .....	74
Security .....	64	Report Format .....	75
Security Control .....	64	Report Control .....	75
Activating Security .....	64	<b>EXAMPLE: CHARTING A DATA LOG REPORT .....</b>	<b>76</b>
Deactivating Security .....	65	Starting the Report .....	79
Changing the Password.....	65	Charting with Microsoft Excel .....	82
Communications.....	66		
Communication Setup .....	66		
ASCII.....	67		
HART .....	67		

## List of Figures

Figure 1. Transmitter, sensor, generator	5	Figure 39. Sensor calibration history page	41
Figure 2. Overall dimensions	9	Figure 40. Auto-test control page	44
Figure 3. Duct-mount sensor holder	10	Figure 41. Auto-test setup page	44
Figure 4. Duct Mount Sensor Exploded View	10	Figure 42. Auto-test sequence	47
Figure 5. Duct-mount adapter	11	Figure 43. Default alarm relationships for toxic gas sensors.	48
Figure 6. Duct-mount assembly	11	Figure 44. Default alarm relationships for oxygen sensors	48
Figure 7. Separating the board stack	12	Figure 45. Manual alarm reset	48
Figure 8. Power Supply Board Connections	13	Figure 46. Rising alarm (Active=ABOVE_SP, Reset=AUTO)	49
Figure 9. ATI A17/B14 Monitors, 2-wire	14	Figure 47. Falling alarm (Active=BELOW_SP, Reset=AUTO)	49
Figure 10. ATI A17/B14 Monitor(s), 3-Wire Mode	15	Figure 48. Alarm setup pages	50
Figure 11. Power Only, No Output Options	16	Figure 49. Fault alarm (Main Display)	52
Figure 12. Current Loop, Single Supply (2-Wire Mode)	17	Figure 50. Fault page	52
Figure 13. Current Loop Single Supply (3-Wire Mode)	18	Figure 51. Alarm relay schematic(default – no alarms active)	54
Figure 14. Current Loop, Dual Supplies (4-Wire Mode)	19	Figure 52. Relay setup page (example)	55
Figure 15. HART Operation, Point-to-Point (2-Wire)	20	Figure 53. Relay test page example	55
Figure 16. HART Operation, Point-to-Point (3-Wire)	21	Figure 54. Inhibiting alarms from the Main Display	56
Figure 17. HART Transmitter Operation, Multi-drop	22	Figure 55. Alarm inhibit setup page	56
Figure 18. Modbus RS485 multi-drop connections	23	Figure 56. Current loop output plot	57
Figure 19. Computer RS232	24	Figure 57. 4-20mA setup page	57
Figure 20 - Remote H10 Sensor Wiring	25	Figure 58. 4-20mA control page	58
Figure 21 - Duct Mount Wiring	26	Figure 59. Loop adjustment pages	58
Figure 22 - Optional Heated Sensor Wiring	27	Figure 60. Data log access page	59
Figure 23. CPU Board configuration	28	Figure 61. Data log setup page	59
Figure 24. Operator interface panel	29	Figure 62. Data log graphic report page	60
Figure 25. Startup review sequence	30	Figure 63. Data log tabular report page	60
Figure 26. Main display	31	Figure 64. Data-log printout (example)	61
Figure 27. Standard fault indication	31	Figure 65. System access page	63
Figure 28. Variable editing	32	Figure 66. Clock setup page	63
Figure 29. Sensor setup page	33	Figure 67. Security control page	64
Figure 30. Data-log warning page	33	Figure 68. Activating security	64
Figure 31. Sensor “more” page	34	Figure 69. Deactivating security	65
Figure 32. Sensor removal	34	Figure 70. Changing the password	65
Figure 33. Generator removal	35	Figure 71. Communication setup page	66
Figure 34. Zero calibration	38	Figure 72. Hart setup pages	67
Figure 35. Zero_Sensor page	38	Figure 73. Hart a) Find-me and b) Device found pages	68
Figure 36. Span calibration	39	Figure 74. Modbus setup page	69
Figure 37. Span_Sensor page	39	Figure 75. Transmitter version page	69
Figure 38. Calibration of duct-mount H10 sensors (ATI-0664)	40		

# INTRODUCTION

## D12 Toxic Transmitter

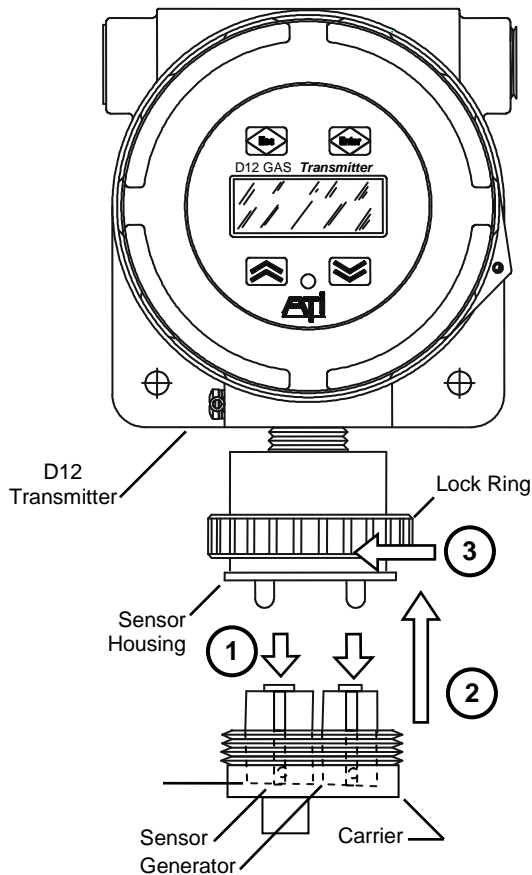
The D12 Toxic Transmitter is used to monitor for gas leaks near storage cylinders, process piping, or gas feed equipment in virtually any type of industrial plant environment. The transmitter housing is explosion proof, and is rated for use in hazardous locations (see specifications). The transmitter features an H10 Smart Sensor, a non-intrusive four button user interface with a back-lighted graphics display, three level alarm system with three (optional) alarm relays, high-resolution 4-20mA current loop output, real-time clock, data-logger, and optional HART™ or Modbus™ communication interface. In addition, the transmitter offers several optional H10 gas generators for automatic, timed testing of H10 sensors.

## H10 Smart Sensor and C18 Gas Generator

H10 Smart Sensors and C18 generators contain non-volatile memory to store information about the target gas they were designed to monitor, or generate. They contain general information about the target gas, such as the name, range, units, alarm settings, along with specific calibration information, such as response to gas, mA-Hr of usage, and calibration history. Information is transferred into the transmitter at startup, and whenever one of the components is inserted into a live transmitter. Because all calibration data is stored in the memory, sensor modules may be calibrated using a spare transmitter in the shop, and subsequently installed into a field transmitter, eliminating the need for field calibration.

Sensors and generators plug into the external housing at the base of the transmitter. They are easily removed, and installation is simplified by way of molded carrier that aligns each connector for a perfect fit. Once installed, a ¼ turn locking ring secures the carrier in place. Simply install the sensor and generator into the carrier (1), slide it onto the alignment pins (2), and twist the ring ¼ turn counter clockwise (3).

Sensors and generators are designed for use in ambient air at temperatures of -30° to +60° C, at a relative humidity between 20 and 98 %RH (some sensors are rated to -40° C, oxygen sensors are rated to -10° C).



*Figure 1. Transmitter, sensor, generator  
(carrier shown rotated 90° for clarity).*

<b>Operating H10 sensors in extremely dry air or in condensing gas streams is not recommended.</b>
--

**Table 1. H10 Smart Sensors**

<b>Gas</b>	<b>Part No.</b>	<b>Standard Range</b>	<b>Minimum Range</b>	<b>Maximum Range</b>
<b>GENERAL GASES</b>				
Acetylene	00-1057	0-200 PPM	0-50 PPM	0-500 PPM
Alcohol	00-1043	0-200 PPM	0-50 PPM	0-500 PPM
Alcohol	00-1044	0-500 PPM	0-500 PPM	0-2000 PPM
Ammonia	00-1010*	0-100 PPM	0-50 PPM	0-500 PPM
Ammonia	00-1011	0-1000 PPM	0-500 PPM	0-2000 PPM
Carbon Monoxide	00-1012*	0-100 PPM	0-50 PPM	0-1000 PPM
Dimethylamine (DMA)	00-1450	0-100 PPM	0-100 PPM	0-200 PPM
Ethylene Oxide	00-1039*	0-20 PPM	0-20 PPM	0-200 PPM
Formaldehyde	00-1040*	0-20 PPM	0-20 PPM	0-200 PPM
Formaldehyde	00-1349	0-1000 PPM	0-500 PPM	0-2000 PPM
Hydrogen	00-1041	0-2000	0-500 PPM	0-2000 PPM
Hydrogen	00-1013	0-4 %	0-1%	0-10 %
Nitric Oxide	00-1021	0-100 PPM	0-50 PPM	0-500 PPM
NOx	00-1181	0-200 PPM	0-50 PPM	0-500 PPM
Oxygen	00-1014	0-25%	0-10%	0-25%
Phosgene	00-1015	0-1 PPM	0-1 PPM	0-5 PPM
Phosgene	00-1016	0-100 PPM	0-5 PPM	0-100 PPM
<b>OXIDANT GASES</b>				
Bromine	00-1000*	0-1 PPM	0-1 PPM	0-5 PPM
Bromine	00-1001*	0-10 PPM	0-5 PPM	0-200 PPM
Chlorine	00-1002*	0-1 PPM	0-1 PPM	0-5 PPM
Chlorine	00-1003*	0-10 PPM	0-5 PPM	0-200 PPM
Chlorine Dioxide	00-1004*	0-1 PPM	0-1 PPM	0-5 PPM
Chlorine Dioxide	00-1005*	0-10 PPM	0-5 PPM	0-200 PPM
Chlorine Dioxide	00-1359	0-1000 PPM	0-200 PPM	0-1000 PPM
Chlorine Dioxide	00-1425	0-1 PPM	0-1 PPM	0-5 PPM
Fluorine	00-1006*	0-1 PPM	0-1 PPM	0-5 PPM
Fluorine	00-1007*	0-10 PPM	0-5 PPM	0-200 PPM
Hydrogen Peroxide	00-1042*	0-10 PPM	0-10 PPM	0-200 PPM
Hydrogen Peroxide	00-1169	0-1000 PPM	0-200 PPM	0-2000 PPM
Iodine	00-1036*	0-1 PPM	0-1 PPM	0-5 PPM
Iodine	00-1037*	0-10 PPM	0-5 PPM	0-200 PPM
Ozone	00-1008*	0-1 PPM	0-1 PPM	0-5 PPM
Ozone	00-1009*	0-10 PPM	0-5 PPM	0-200 PPM
Ozone	00-1358	0-1000 PPM	0-200 PPM	0-1000 PPM

(continued on next page)

**ATI Series D12 Toxic Gas Transmitter with H10 Smart Sensor**

---

**ACID GASES**

Hydrogen Bromide	00-1455*	0-20 PPM	0-10 PPM	0-200 PPM
Hydrogen Chloride	00-1017*	0-10 PPM	0-10 PPM	0-200 PPM
Hydrogen Cyanide	00-1018*	0-10 PPM	0-10 PPM	0-200 PPM
Hydrogen Fluoride	00-1019*	0-10 PPM	0-10 PPM	0-200 PPM
Hydrogen Sulfide	00-1020*	0-50 PPM	0-10 PPM	0-500 PPM
Hydrogen Sulfide	00-1469	0-500 PPM	0-200 PPM	0-1000 PPM
Nitrogen Dioxide	00-1022*	0-10 PPM	0-10 PPM	0-200 PPM
Sulfur Dioxide	00-1023*	0-10 PPM	0-10 PPM	0-200 PPM
General Acid Gases	00-1038*	0-10 PPM	0-10 PPM	0-200 PPM

**HYDRIDE GASES**

Arsine	00-1024	0-1000 PPB	0-500 PPB	0-2000 PPB
Arsine	00-1025	0-10 PPM	0-10 PPM	0-200 PPM
Diborane	00-1026	0-1000 PPB	0-500 PPB	0-2000 PPB
Diborane	00-1027	0-10 PPM	0-10 PPM	0-200 PPM
Germane	00-1028	0-1000 PPB	0-500 PPB	0-2000 PPB
Germane	00-1029	0-10 PPM	0-10 PPM	0-200 PPM
Hydrogen Selenide	00-1030	0-1000 PPB	0-500 PPB	0-2000 PPB
Hydrogen Selenide	00-1031	0-10 PPM	0-10 PPM	0-200 PPM
Phosphine	00-1032	0-1000 PPB	0-500 PPB	0-2000 PPB
Phosphine	00-1033	0-10 PPM	0-10 PPM	0-200 PPM
Phosphine	00-1034	0-1000 PPM	0-200 PPM	0-2000 PPM
Silane	00-1035	0-10 PPM	0-10 PPM	0-200 PPM
Silane	00-1285	0-1000 PPB	0-500 PPB	0-2000 PPB

\*Corresponding C18 gas generator available for standard range of sensor, and lower.

# SPECIFICATIONS

**Table 2. Specifications**

---

<b>Sensor Type</b>	Electrochemical cell
<b>Gas Type</b>	Select from list (see Table 1)
<b>Range</b>	User adjustable within limits of selected sensor (see Table 1)
<b>Response Time</b>	Sensor dependent
<b>Accuracy</b>	Generally $\pm 10\%$ of value, but limited by available calibration gas accuracy.
<b>Repeatability</b>	$\pm 1\%$ (Electronic)
<b>Linearity</b>	$\pm 0.5\%$ (Electronic)
<b>Zero Drift</b>	Less than 2% full scale per month
<b>Span Drift</b>	Dependent on operating environment but generally less than 3% per month
<b>Analog Output</b>	4-20 mA, 600 ohms max. at 24 VDC
<b>Serial Interface</b>	HART® (1200 baud modem interface), Modbus®1200-9600,14.4k, 28.8k – RS232 or RS485, user configurable)
<b>Power</b>	Class 2 power source as follows: Regulated 12 - 30 VDC; 25 mA maximum in loop-powered mode, 250 mA maximum in 3-wire mode.
<b>Alarm Relays</b>	Three SPDT relays: 5A @ 230 VAC resistive; 5A @ 30 VDC resistive
<b>Relay Coil</b>	Programmable either normally energized or normally de-energized
<b>Enclosure</b>	Explosion-proof, Class 1, Div. 1, Groups B, C, & D.
<b>Auto-Test Option</b>	Dependent on sensor gas type and programmed range (see Table 1)
<b>Display</b>	Graphics LCD, 96w x 32h, back-lighted in 3-wire mode
<b>Controls</b>	Four button, non-intrusive (magnetic switches); remote alarm reset input
<b>Operating Temp.</b>	-30° to +60° C (Min. temp. for O <sub>2</sub> sensor is -10° C)
<b>Weight</b>	4 Lbs (1.8 Kg.)

---




# INSTALLATION

## MECHANICAL MOUNTING

### Transmitter

Figure 2 shows the dimensions of the transmitter enclosure and the location and size of the electrical conduit connection. In locations classified as hazardous, the transmitter housing must be earth grounded, and an explosion-proof seal must be installed as required by the local electrical code. The conduit or cable gland entry into the enclosure must be sealed. If conduit is used, it must also be sealed internally at the housing entry. This is required to prevent condensation from draining into the enclosure.

	<p><b>HAZARDOUS LOCATIONS</b></p> <p><b>Connect housing to earth ground. Use explosion proof conduit, and seal it inside and out.</b></p> <p><b>Follow national, state, and local, electrical codes.</b></p>
---	--

**Seal conduit inside and out to keep out water.**  
**Follow national, state, and local, electrical codes.**

Secure the transmitter to a wall or flat surface through two mounting holes in the enclosure, as shown in Figure 2. If appropriate fasteners are used, the transmitter may be supported by conduit alone.

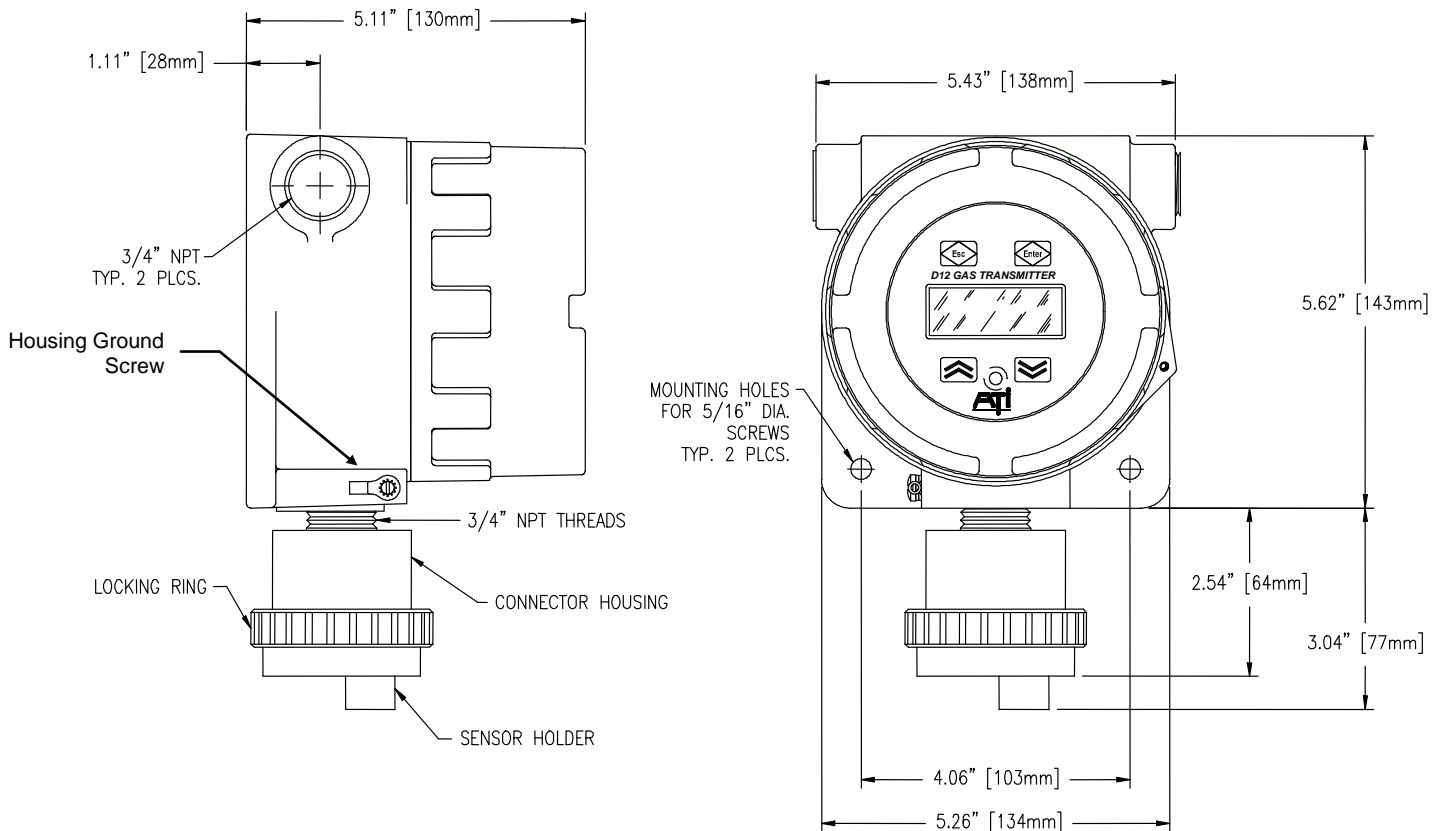


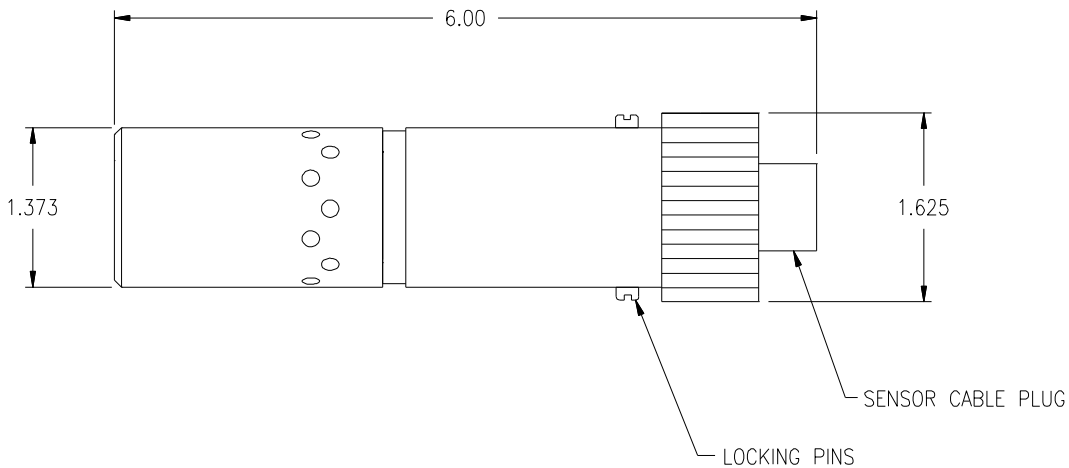
Figure 2. Overall dimensions

### H10 Sensor Duct-Mount Option

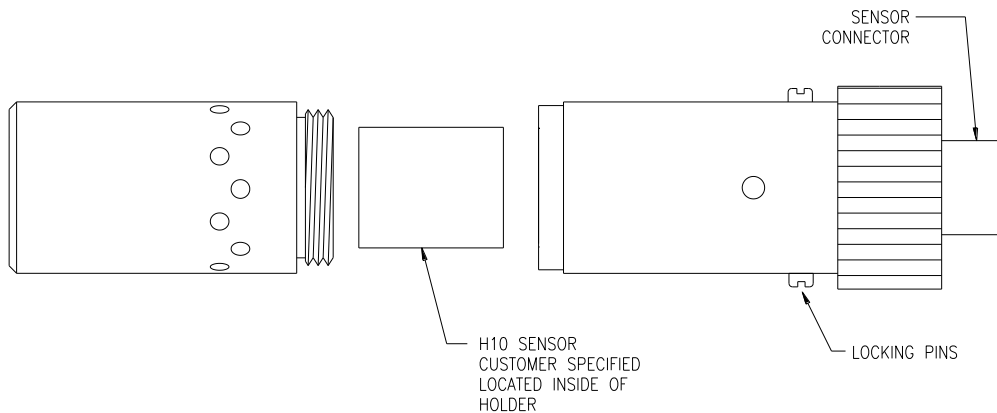
The H10 sensor duct mount option allows H10 Smart Sensors to be installed in a duct or pipe, and provides easy access to the sensor for service.

The assembly is comprised of a special H10 sensor holder (Figure 3) that slides into the hollow duct mount adapter (Figure 4). The adapter has 1-1/2" MNPT threads on the insertion end, for securing it to the duct or pipe, and a barb fitting for supplying calibration gas to the sensor. An interface cable is provided to connect the sensor holder to the transmitter. Note that a mating flange for securing the adapter is not provided.

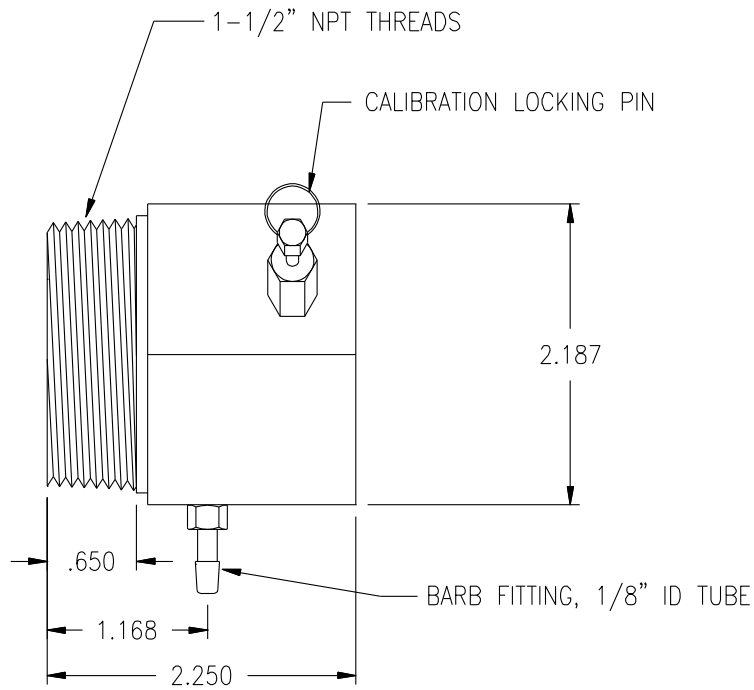
As shown in Figure 5, screw the adapter to the duct or pipe so the barb fitting is accessible to connect gas tubing. Once the adapter is in place, slide in the sensor holder, lock it in place, and connect the interface cable. It is recommended that the sensor not be installed in the holder until you are ready to start the transmitter. This is especially true during construction when excessive dust and dirt may be blowing through the duct system, and otherwise foul the sensor.



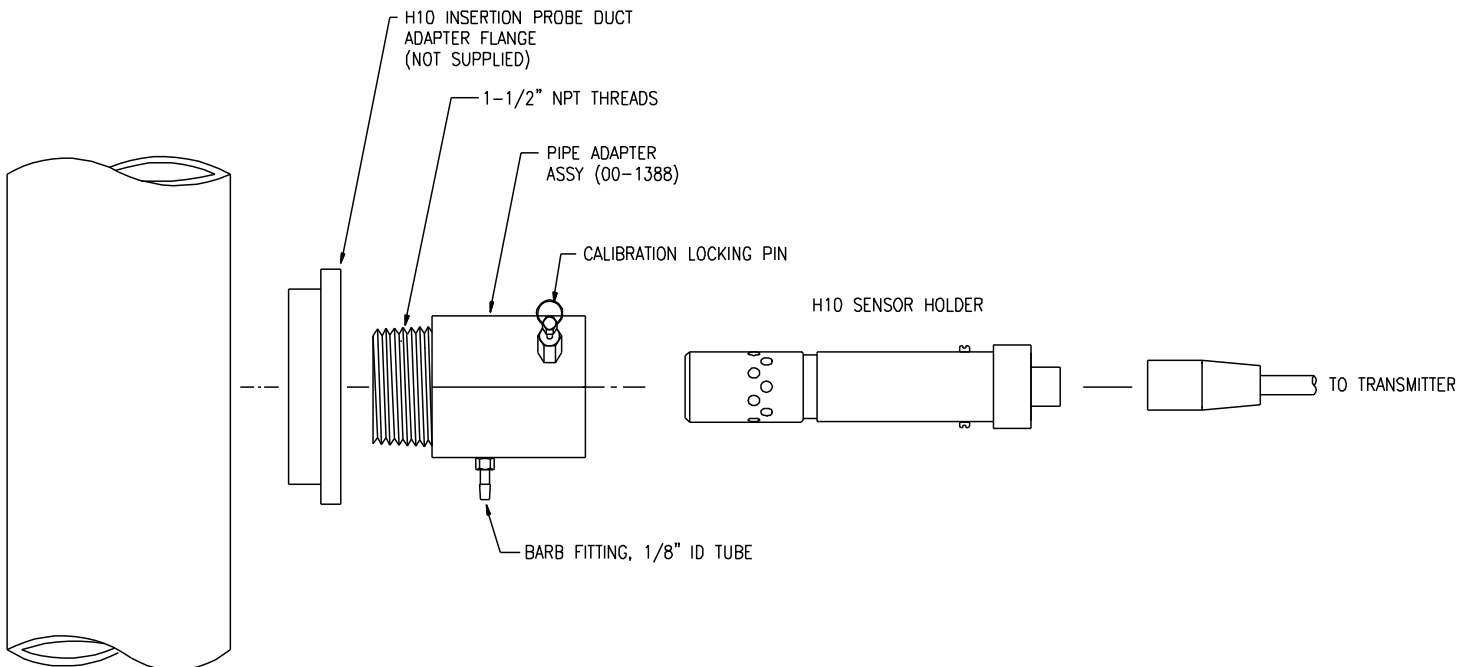
*Figure 3. Duct-mount sensor holder*



*Figure 4. Duct Mount Sensor Exploded View*



*Figure 5. Duct-mount adapter*



*Figure 6. Duct-mount assembly*

## ELECTRICAL CONNECTIONS

### Board Stack

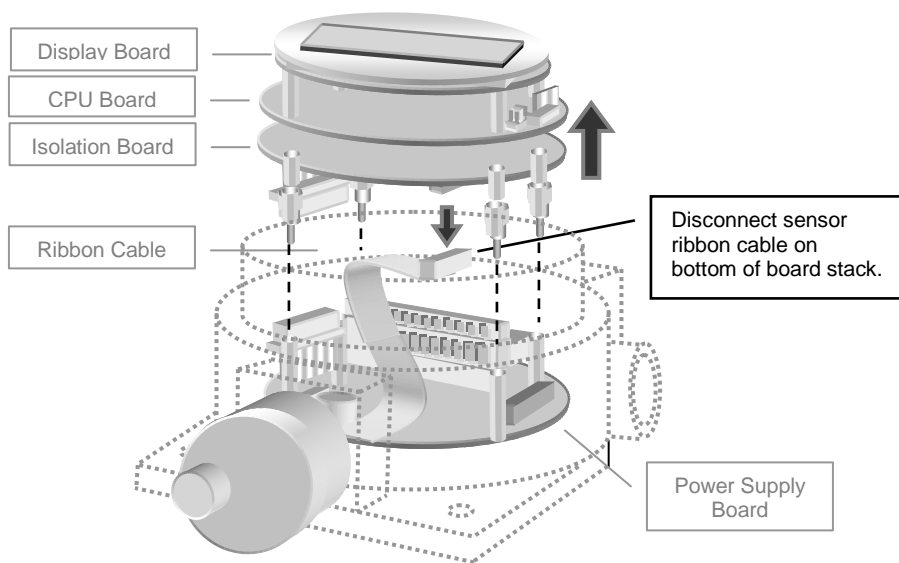
The transmitter consists of four circuit boards, known collectively as the “stack”. From top to bottom, they are the, Display, CPU, Isolation, and Power Supply boards. The top three boards, Display, CPU, and Isolation, are fastened together with metal standoffs, and plug into the Power Supply board, which is fastened to the lower housing with similar metal standoffs. Since most external wiring connections are made to terminals on the Power Supply board, it will be necessary to remove the top three boards.

To remove the top boards, unscrew the transmitter housing cover and turn off the power switch, SW5,

	<b>Please be aware of the hidden ribbon cable that connects the top three boards to the sensor. This cable is just long enough to permit the top boards to come free from the housing, but no further.</b>	
--	--	--

located at the 12 o'clock position on the CPU board. Grasp the outer edge of the metal faceplate covering the Display board and gently rock it side to side, while pulling it up, and away from the housing. Once the top boards come free, lift them out and disconnect the sensor ribbon cable (note: this connector is keyed for ease of reconnecting later).

	<b>Set switch SW5 to OFF before removing the upper board stack from the transmitter. Since SW5 does not disconnect power at the terminals of the Power Supply Board, declassify hazardous areas prior to opening the transmitter housing.</b>	
--	---	--



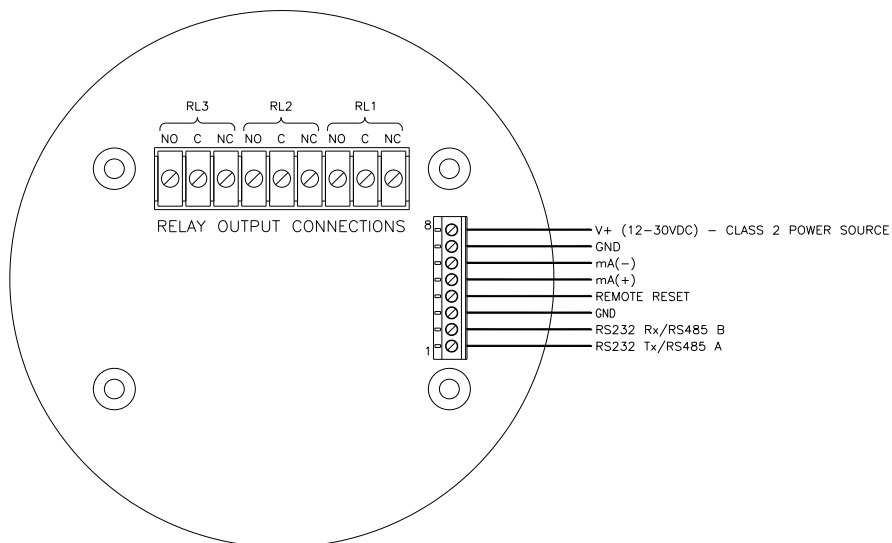
*Figure 7. Separating the board stack*

### Power Supply Board Connections

Electrical connections are made to terminal blocks on the Power Supply board. Power, current loop, (optional) digital communications, and remote alarm reset, are connected at TB1. Connections to the three (optional) relays are made at TB2.

Current loop operation requires 12-30 VDC power supplied on the mA(+) terminal, from which the transmitter sources a 4-20mA current loop output signal on the mA(-) terminal. The transmitter can operate from current loop power alone, but without relays, LCD backlighting, and RS232/RS485 communications.

Loop-powered operation requires a maximum current of 25 mA, while transmitters wired in 3-wire mode will require a maximum of 250 mA, with all relays active. Power supplies operating multiple units should be sized for twice the calculated current requirement to allow for start-up inrush current requirements.



*Figure 8. Power Supply Board Connections*

The transmitter has limited space for wire; therefore, use the smallest gauge wire available that is compatible with electrical code and current requirements. When powering a group of transmitters in 3-wire mode from the same power supply, 12 AWG wire is recommended for long runs, with drops of higher gauge wire to each transmitter.

Internal relays are best used as pilot relays if heavy load switching is desired. Use suitable arc suppression devices across loads switched through internal relays.

The transmitter housing is normally grounded through explosion proof conduit. In the absence of such conduit, use a suitable grounding strap to bond the transmitter's housing to earth ground.

**Always follow wiring practices governed by local, state, and national electrical codes.**

**External Connections**

**ATI A17/B14 Monitor(s), 2-Wire Mode**

D12 (toxic gas) transmitters may be connected in 2-wire mode to an ATI A17/B14 receiver system. In 2-wire mode, transmitters will not include alarm relays, LCD backlighting, or RS232/RS485 communication options. Consult the A17 Power Supply and B14 Receiver Module O&M manuals to properly size power supply requirements.

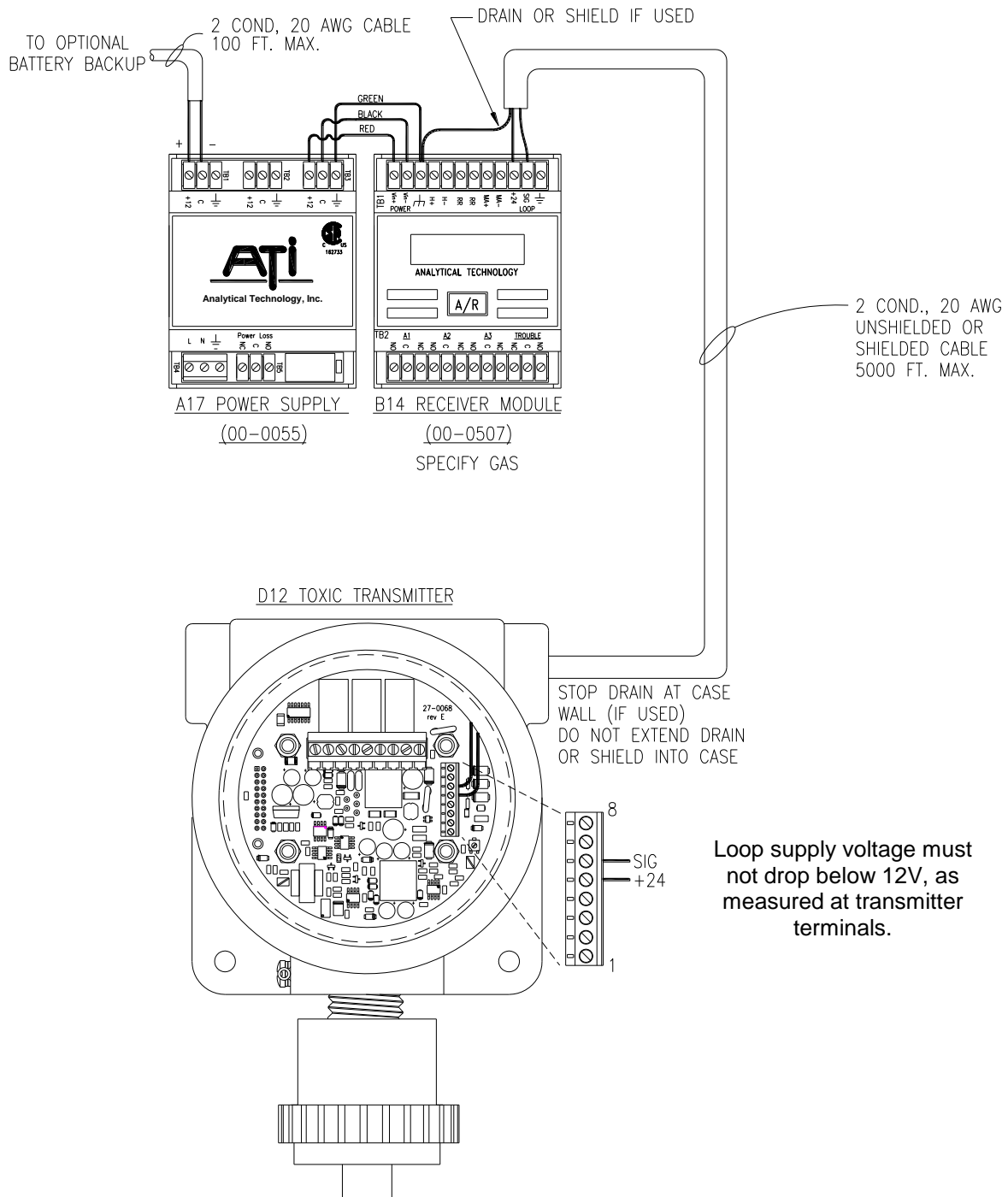


Figure 9. ATI A17/B14 Monitors, 2-wire

**ATI Series D12 Toxic Gas Transmitter with H10 Smart Sensor**

**ATI A17/B14 Monitor(s), 3-Wire Mode**

D12 transmitters may be connected in 3-wire mode to an ATI A17/B14 receiver system. In 3-wire mode, transmitters will include alarm relays, LCD backlighting, and RS232/RS485 communication options. Consult the A17 Power Supply and B14 Receiver Module O&M manuals to properly size the system power requirements.

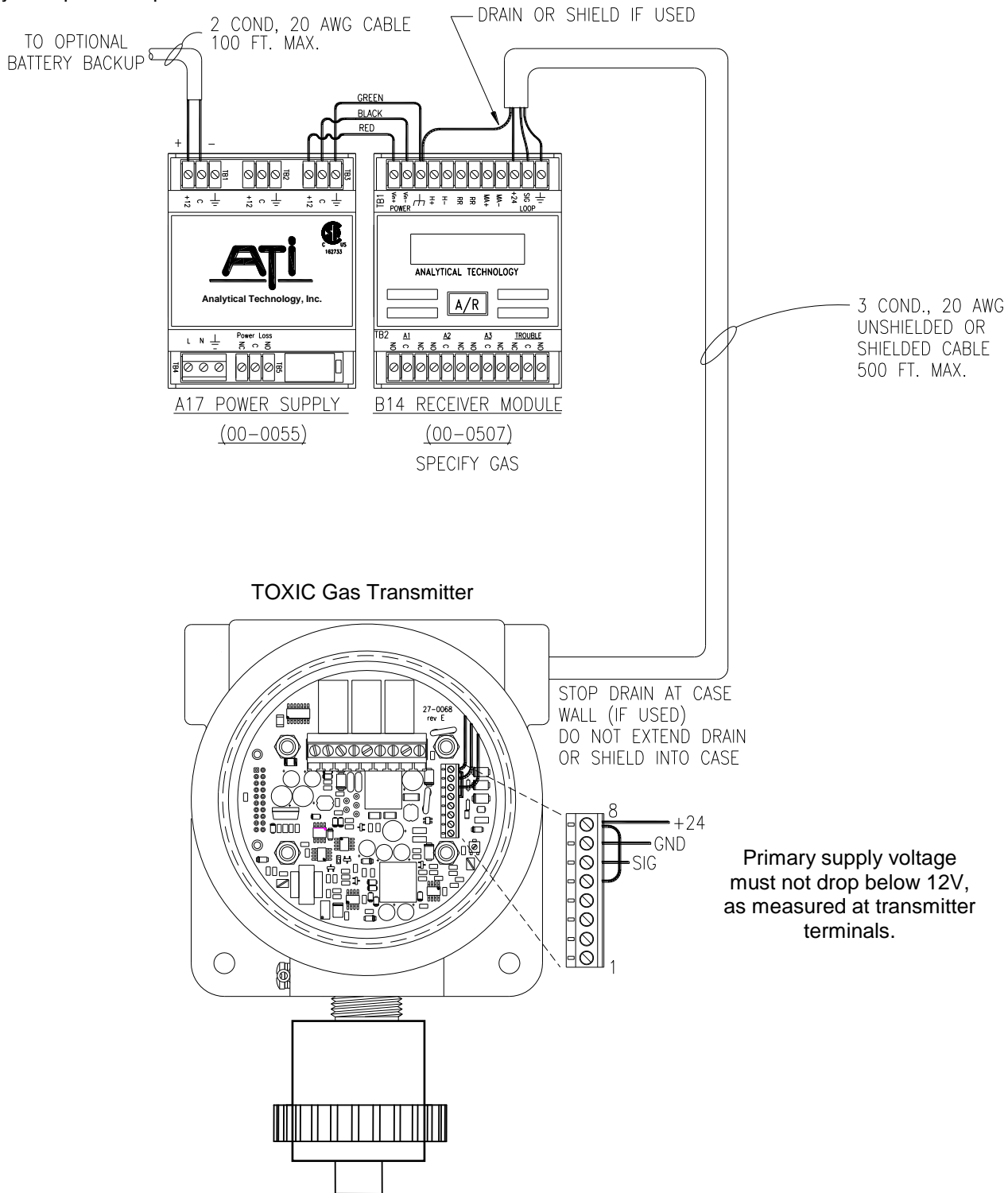
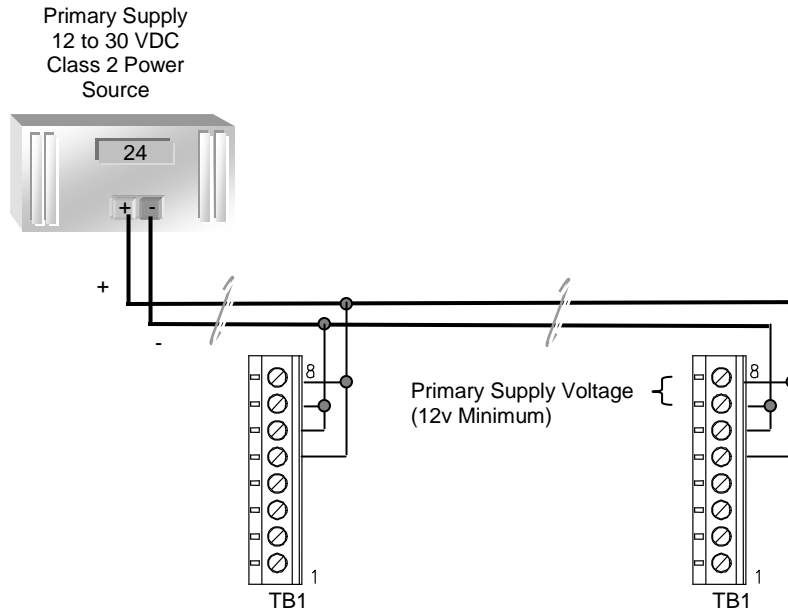


Figure 10. ATI A17/B14 Monitor(s), 3-Wire Mode

**Power Only, No Output Options**

If there are no output options, transmitters may be powered from a single, primary supply as shown. Size each power supply according to the number of transmitters, the current demand of each (see specifications), and the wire resistance. The wire resistance must not be allowed to drop the primary supply voltage below 12V at the primary supply terminals of any transmitter. Hint: If possible, use 12-14 AWG wire on primary supply connections (shown in bold), keep the number of transmitters low, and verify the voltage on the on the transmitter furthest from the supply.

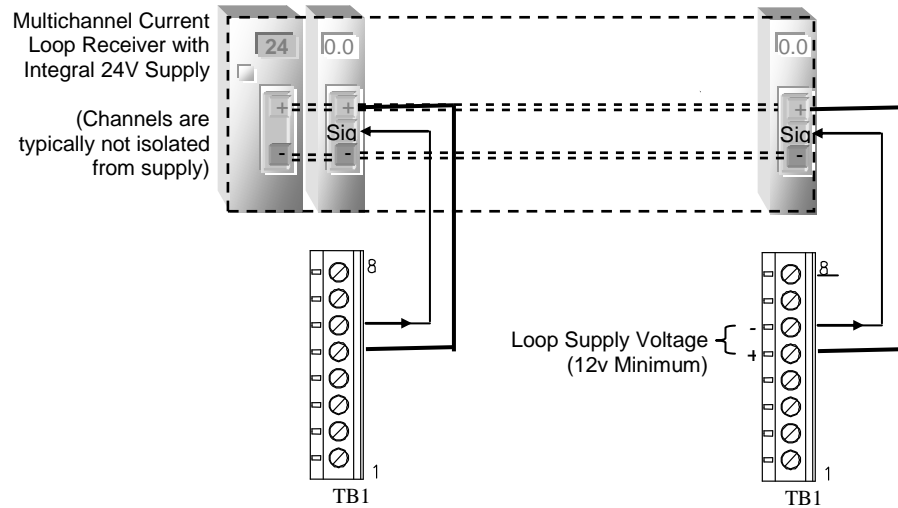


*Figure 11. Power Only, No Output Options*



**Current Loop Receiver, Single Supply (2-Wire Mode)**

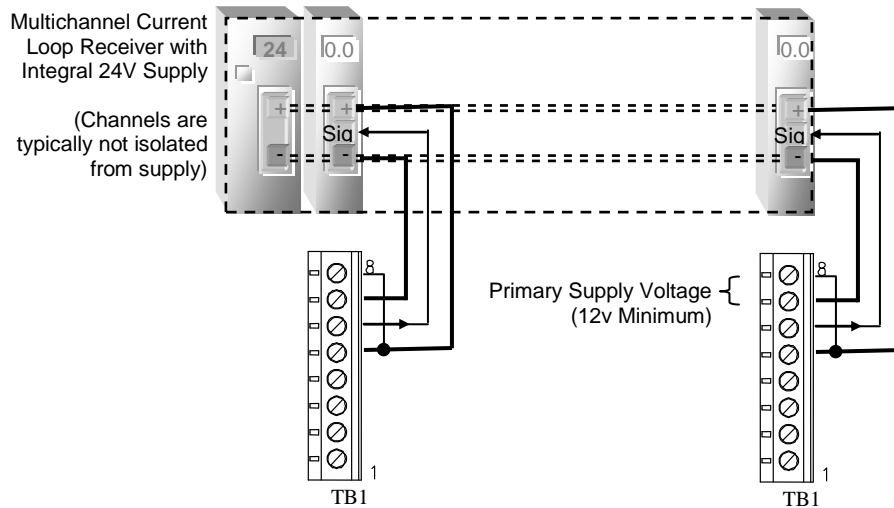
The transmitter will source current to a loop receiver in 2-wire mode, as shown. A single power supply provides loop power, which is sufficient to power the transmitter, but without relays, LCD backlighting, and RS232/RS485 communications. Size each power supply according to the number of transmitters, the loop powered current demand of each (see specifications), and the wire resistance. The wire resistance must not be allowed to drop the Loop Supply Voltage below 12V at the terminals of any transmitter.



*Figure 12. Current Loop Receiver, Single Supply (2-Wire Mode)*

**Current Loop Receiver, Single Supply (3-Wire Mode)**

The transmitter will source current to a loop receiver as shown. A single power supply provides both primary and loop power to the transmitter. Size each power supply according to the number of transmitters, the current demand of each (see specifications), and the wire resistance. The wire resistance must not be allowed to drop the Primary Supply Voltage below 12V at the terminals of any transmitter. Hint: if possible, use 12-14 AWG wire on supply connections (shown in bold).



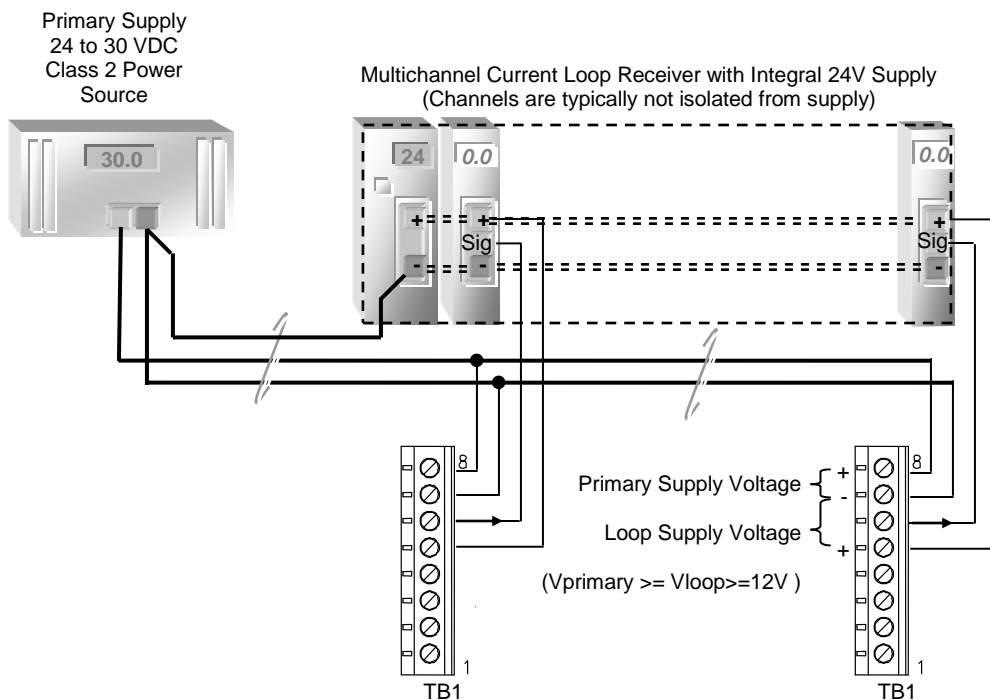
*Figure 13. Current Loop Receiver, Single Supply (3-Wire Mode)*

**Current Loop Receiver, Dual Supplies (4-Wire Mode)**

To reduce the power requirement of a single current loop supply, the transmitter may be powered from both a primary and loop supply, providing the following conditions are met.

1. Supply grounds are directly connected to minimize ground loops, and,
2. The Primary Supply Voltage is at least 12V, and must be equal to, or exceed, the Loop Supply Voltage, as measured at instrument terminals.

Size each power supply according to the number of transmitters, the current demand of each (see specifications), and the wire resistance. The wire resistance must not be allowed to drop the Primary Supply Voltage below the Loop Supply Voltage, which must be at least 12V, as measured at the terminals of any transmitter. Hint: select a Primary Supply with a higher voltage output than the Loop Supply, and use 12-14 AWG wire, if possible. Keep the number of transmitters supplied by the Primary Supply low, and verify the voltages at the terminals of the transmitter furthest from the Primary Supply.



<p><b>IMPORTANT</b> Primary Supply Voltage must not drop below Loop Supply Voltage at terminals of any transmitter.</p> <p>Hint: Use 12 AWG wire on Primary supply connections to minimize voltage drops.</p>	<p>1 Select a Primary Supply with a higher voltage output, and,</p> <p>2 Connect supply commons to minimize ground loops and voltage drops that might reduce the Primary Supply Voltage below the Loop Supply Voltage, at transmitter.</p>
---	--

Figure 14. Current Loop Receiver, Dual Supplies (4-Wire Mode)

**HART Transmitter, Point-to-Point (2-Wire)**

The HART “Point-to-Point” connection permits the transmitter to communicate digitally, while retaining the functionality of its 4-20mA current loop. Setting the transmitter’s polling address to 0 permits the current loop to function normally. According to HART specifications, the current loop must be terminated with a load resistor between 230 and 1100 ohms; however, transmitter specifications restrict the maximum analog output resistance to a lower value (see Specifications). The term, “active source”, refers to a transmitter that is not loop powered, and sources current from power applied to it on separate terminals. Size the power supply according to the number of transmitters, the current demand of each transmitter (see specifications), and wire resistance. Wire resistance must not be allowed to drop the Primary Supply Voltage below 12V at the terminals of any transmitter. Hint: use at least 14 AWG wire on supply connections (shown in bold).

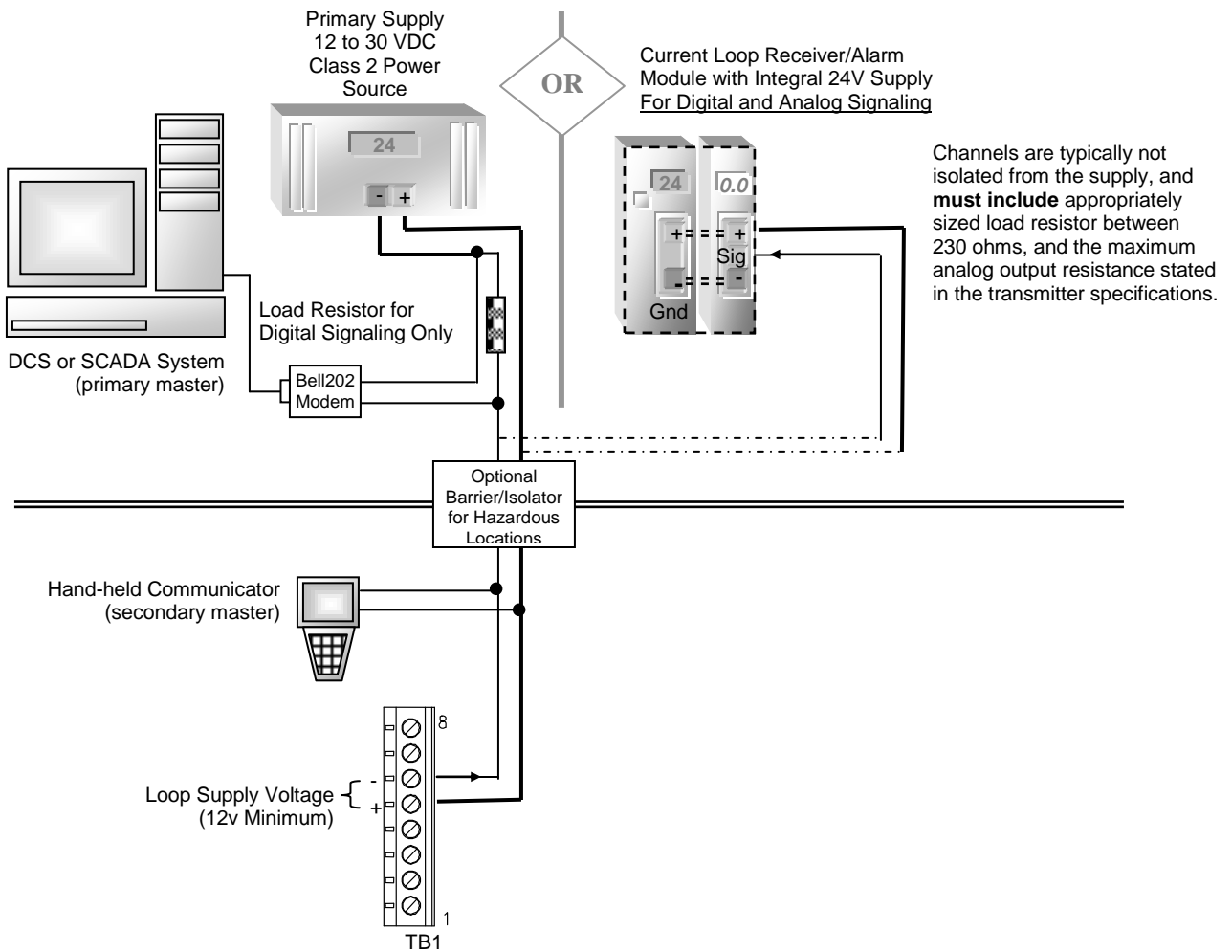


Figure 15. HART Transmitter Operation, Point-to-Point (2-Wire)

**HART Transmitter, Point-to-Point, Active Source (3-Wire)**

The HART “Point-to-Point” connection permits the transmitter to communicate digitally, while retaining the functionality of its 4-20mA current loop. Setting the transmitter’s polling address to 0 permits the current loop to function normally. According to HART specifications, the current loop must be terminated with a load resistor between 230 and 1100 ohms; however, transmitter specifications restrict the maximum analog output resistance to a lower value (see Specifications). The term, “active source”, refers to a transmitter that is not loop powered, and sources current from power applied to it on separate terminals. Size the power supply according to the number of transmitters, the current demand of each transmitter (see specifications), and wire resistance. Wire resistance must not be allowed to drop the Primary Supply Voltage below 12V at the terminals of any transmitter. Hint: use at least 14 AWG wire on supply connections (shown in bold).

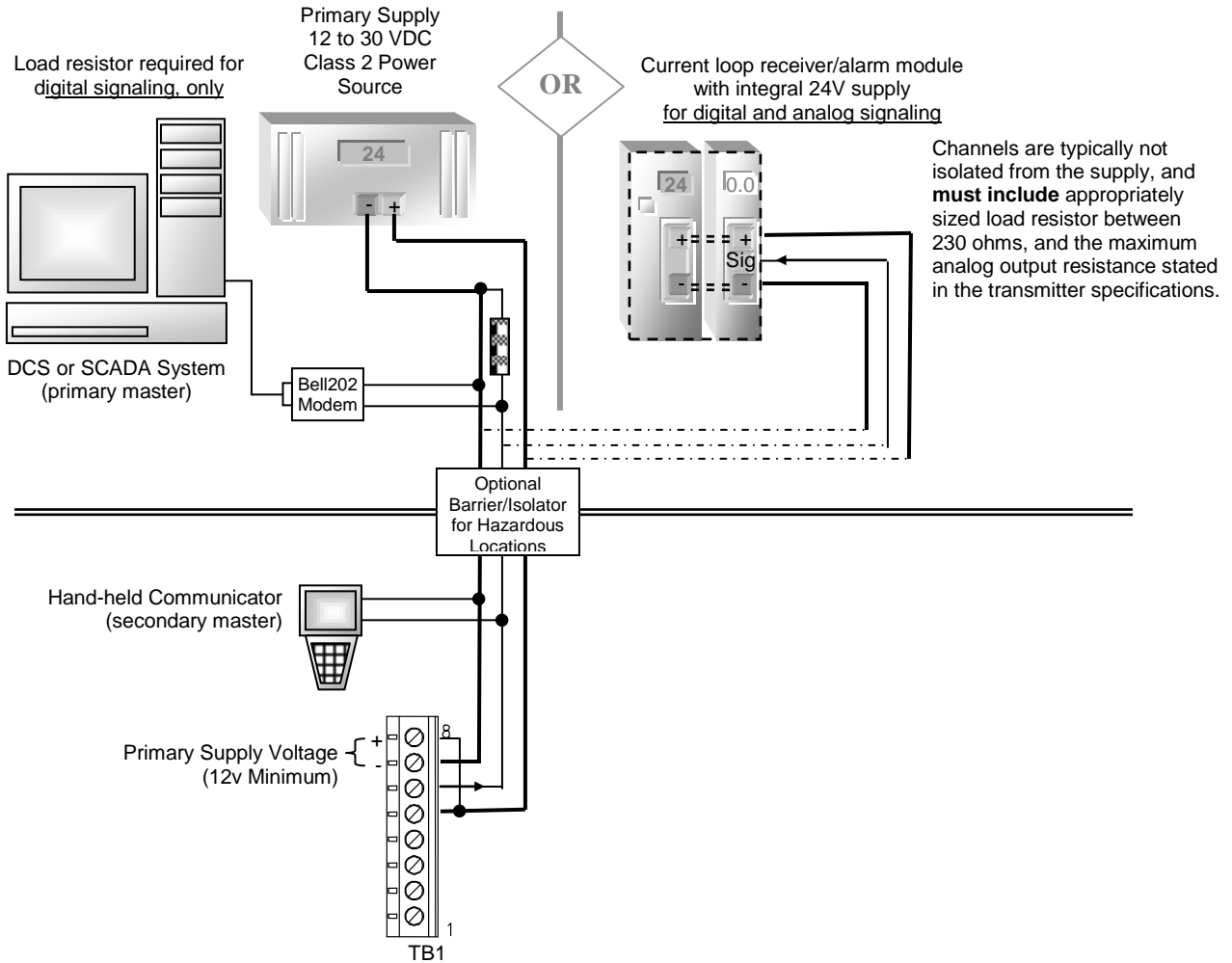
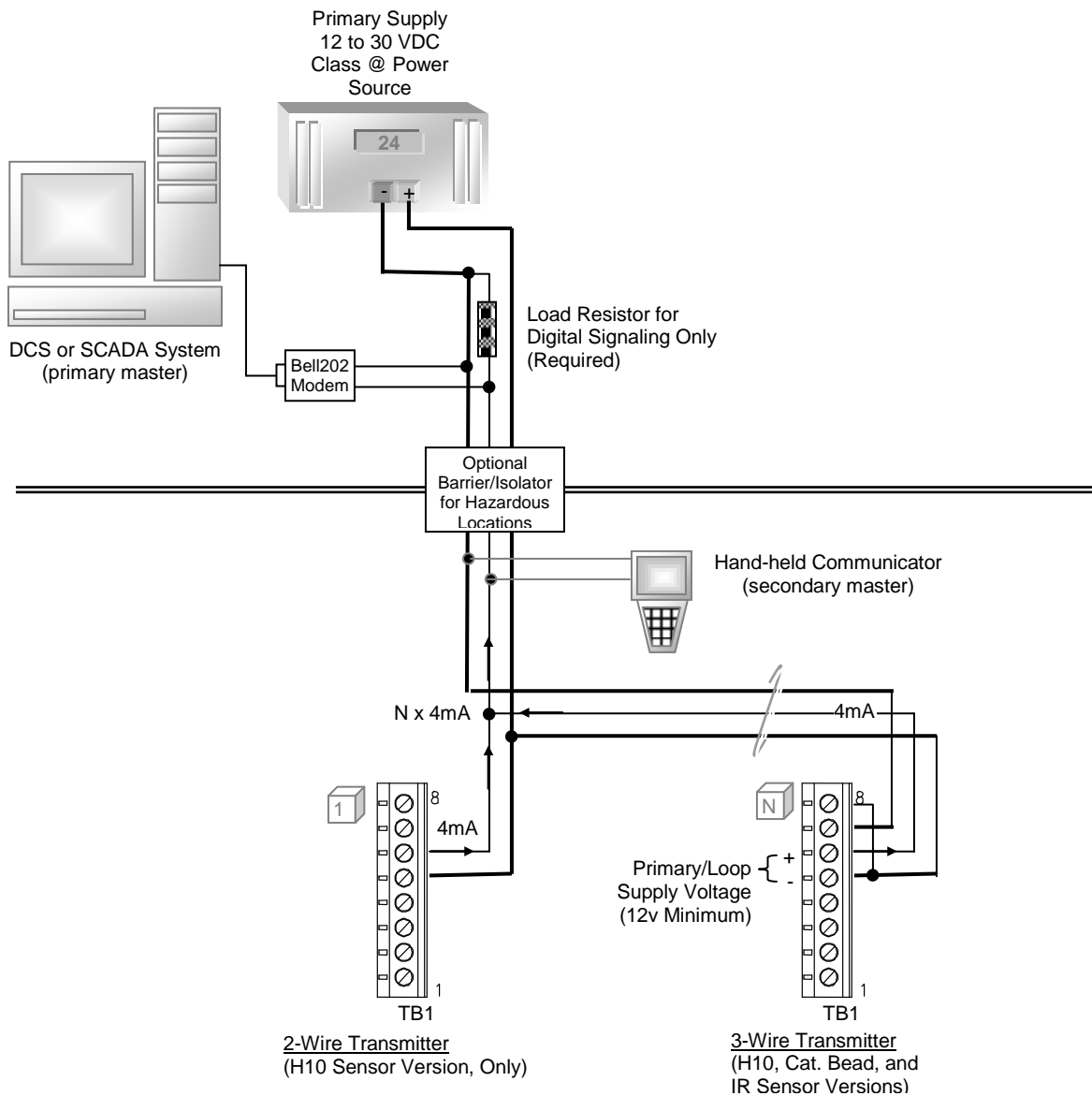


Figure 16. HART Transmitter Operation, Point-to-Point (3-Wire)

**ATI Series D12 Toxic Gas Transmitter with H10 Smart Sensor**

The HART multi-drop connection permits up to 15 transmitters to communicate digitally on the same bus, but at the cost of analog current signaling. Setting the transmitter's polling address from 1 to 15 fixes the current loop output at 4mA. According to HART specifications, the current loop must be terminated with a load resistor between 230 and 1100 ohms; however, transmitter specifications restrict the maximum analog output resistance to a lower value (see Specifications). The term, "active source", refers to a transmitter that is not loop powered, and sources current from power applied to it on separate terminals. Size the power supply according to the number of transmitters, the current demand of each transmitter (see specifications), and wire resistance. Wire resistance must not be allowed to drop the Primary Supply Voltage below 12V at the terminals of any transmitter. Hint: use at least 14 AWG wire on supply connections (shown in bold).



*Figure 17. HART Transmitter Operation, Multi-drop Loop Powered (2-Wire) and Active Source (3-Wire)*

**Modbus RS485 Multi-drop**

RS485 operation requires the transmitter to be wired in 3- or 4- wire mode. Modbus permits up to 247 devices to communicate digitally on the same bus; however, RS485 limits this to 32. Request the [D12 Transmitter Modbus Interface Manual](#) for complete details on the Modbus interface.

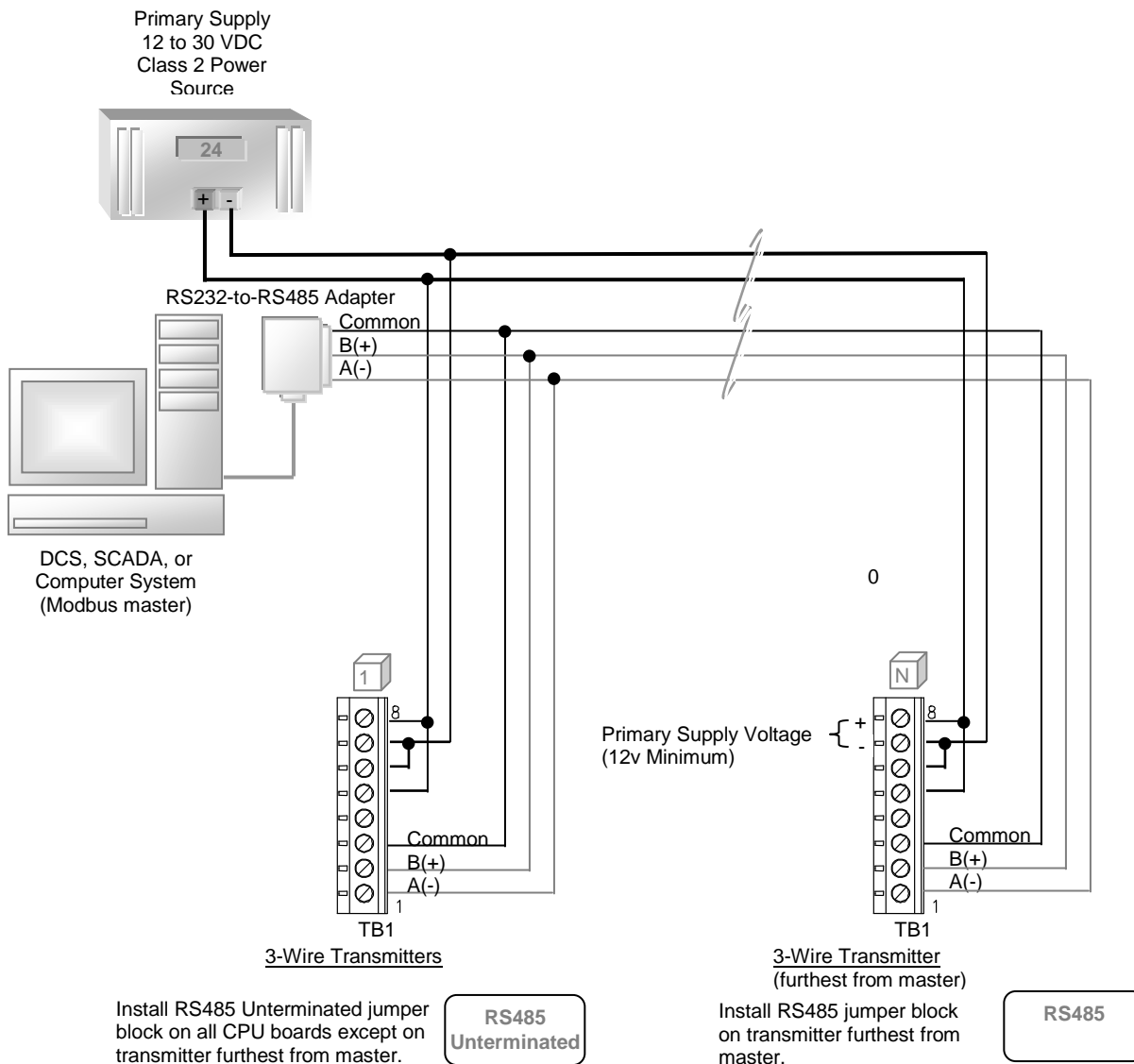
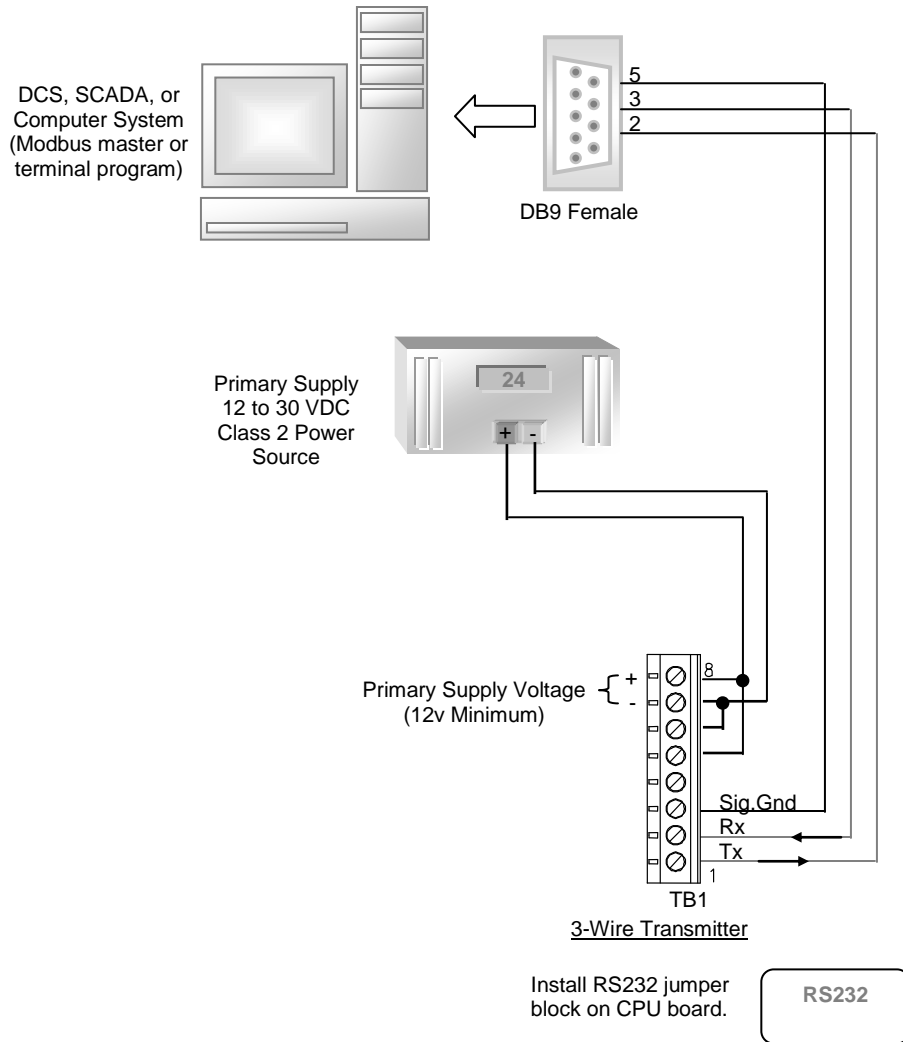


Figure 18. Modbus RS485 multi-drop connections

**Computer RS232**

RS232 operation requires the transmitter to be wired in 3- or 4- wire mode. See Printing Data Log Reports in Appendix A. for details on sending the data log to a printer or computer. Request D12 Transmitter Modbus Interface Manual for complete details on the Modbus interface.

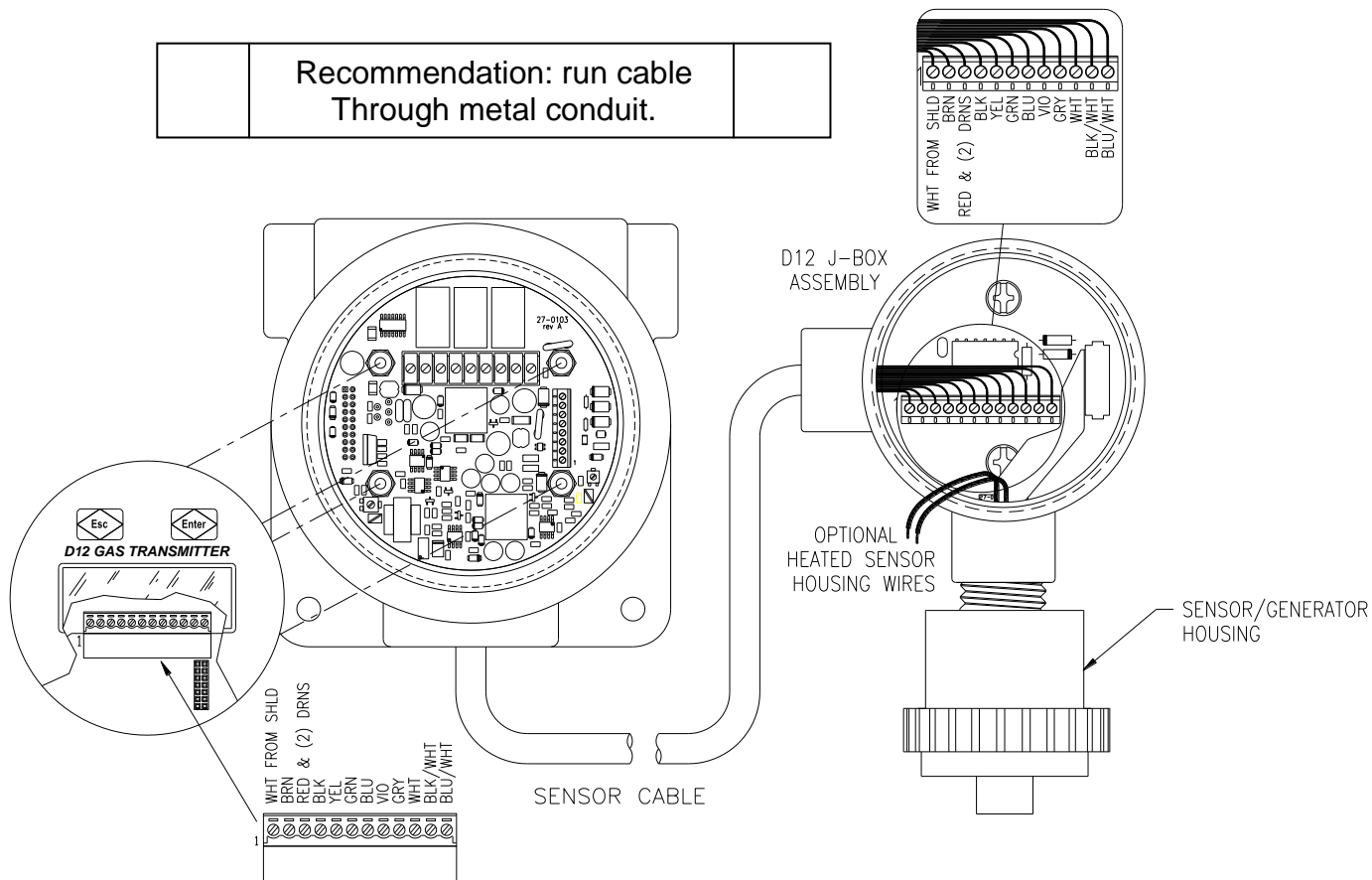


*Figure 19. Computer RS232*



**Remote Sensor Wiring**

The figure below shows the wiring of the remote sensor option, which allows separation of the transmitter and sensor by up to 50 feet. Interconnect cable is sold separately. Connections are made to terminal blocks in the transmitter and J-box (junction box) assembly. The sensor/generator housing is threaded into the J-box, and connected to a 14-position header. Do not allow exposed wires contact each other, the printed circuit boards, or any components.

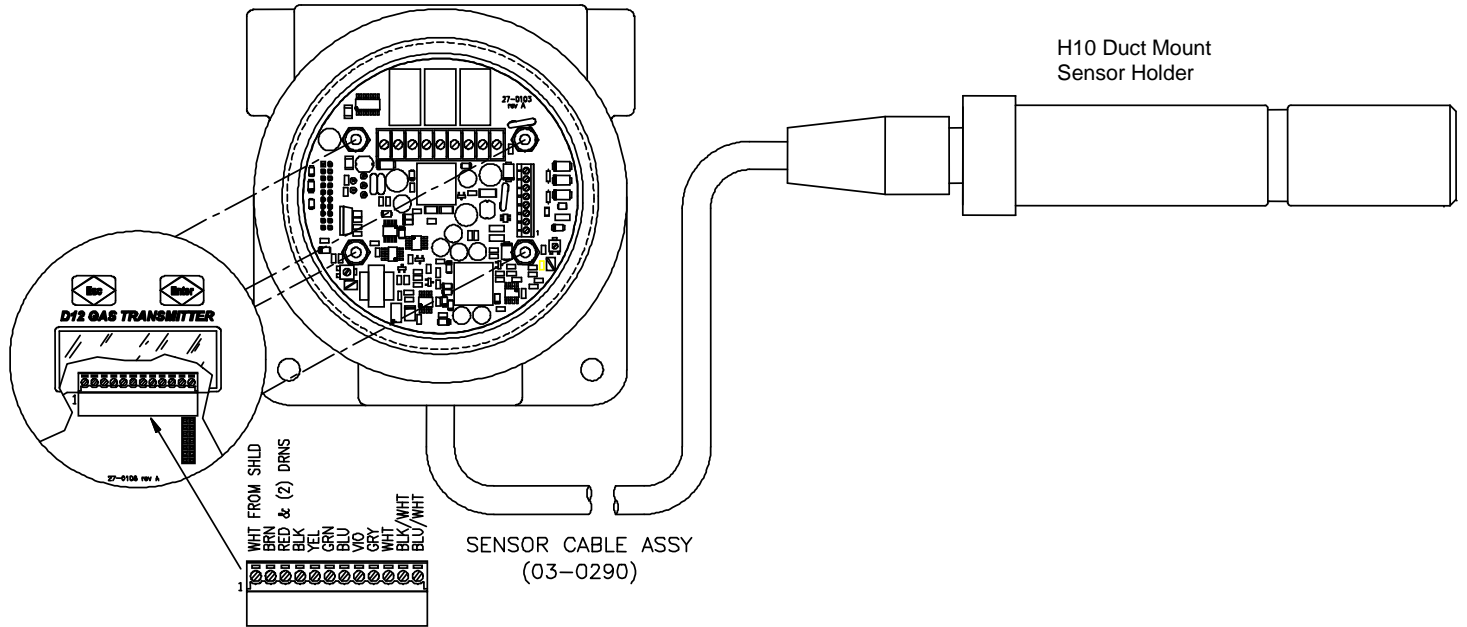


**NOTE: When Optional Heated Sensor housing is ordered, 2 Cond. Wire must be used to Connect from Junction Box to Transmitter or External 24V power Source. ATI can supply 2 Cond. 20 Awg wire our part # (31-0008) sold as /ft. if requested. If connected as a 2-wire device an customer supplied 24V power source must be used to supply voltage required to make heater circuit functional. A 3 or 4-wire device can be hooked to the transmitter as shown in Fig 22 on page 27.**

*Figure 20 - Remote H10 Sensor Wiring*

**Duct-Mount Sensor Wiring**

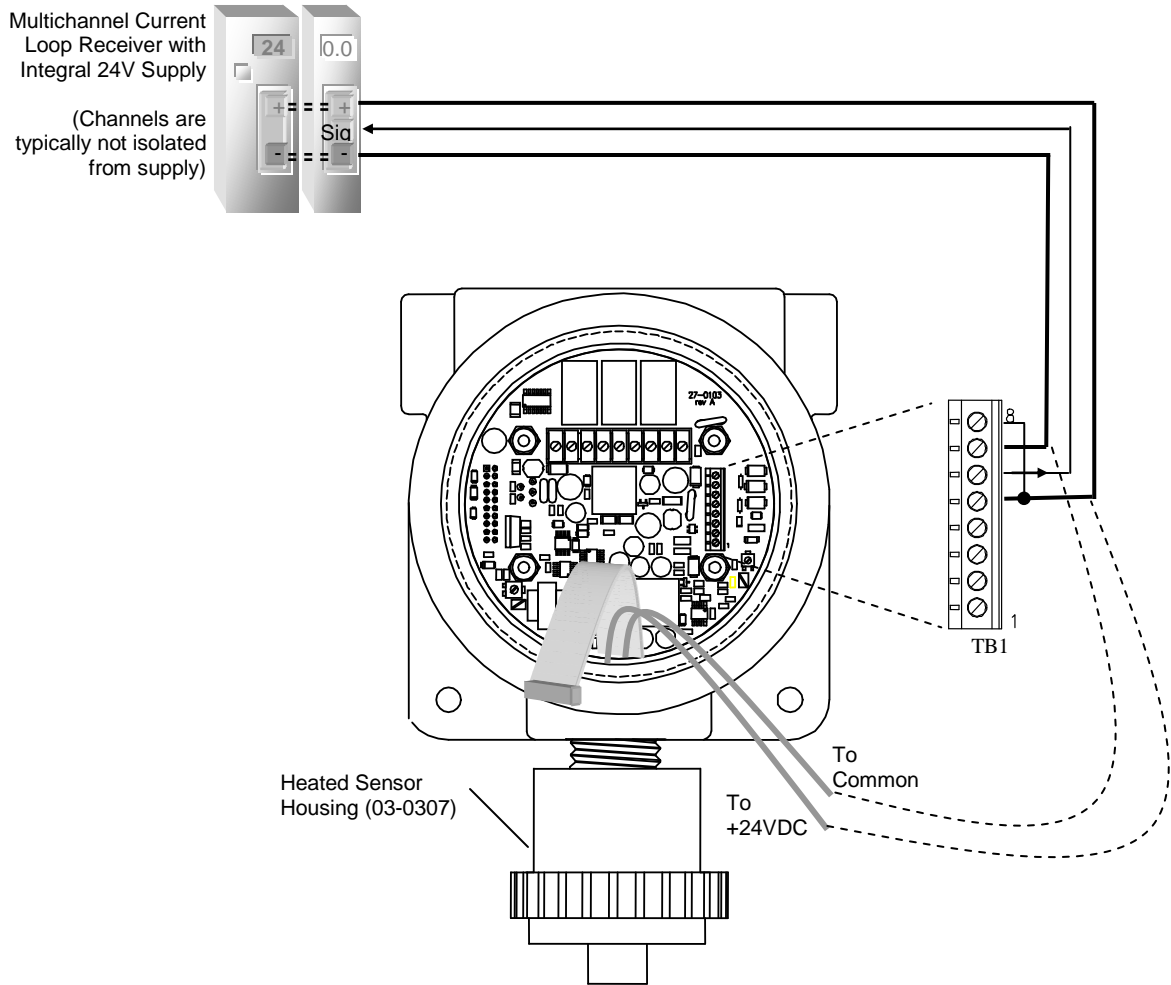
The figure below shows the wiring of the sensor duct-mount option, which allows the sensor to be installed inside of a duct or pipe. The cable plugs into the rear of the sensor holder, and connects to a terminal block in the transmitter. Do not allow exposed wires contact each other, the printed circuit boards, or any components.



*Figure 21 - Duct Mount Wiring*

### Heater Option for Sensor/Generator Housing

The heater should be supplied with 24VDC to provide approximately 5.8W to the housing. This may be derived from the transmitter supply in 3-wire mode, as shown below, or from a separate power supply. Heater leads are polarity insensitive.



*Figure 22 - Optional Heated Sensor Wiring*

CPU Board Configuration

Install one jumper plug on JP4 as prescribed by communication interface.

If equipped with relays, install the relay option jumper on pins 3-4 of JP1.

Set switch SW5 to ON before replacing the housing cov

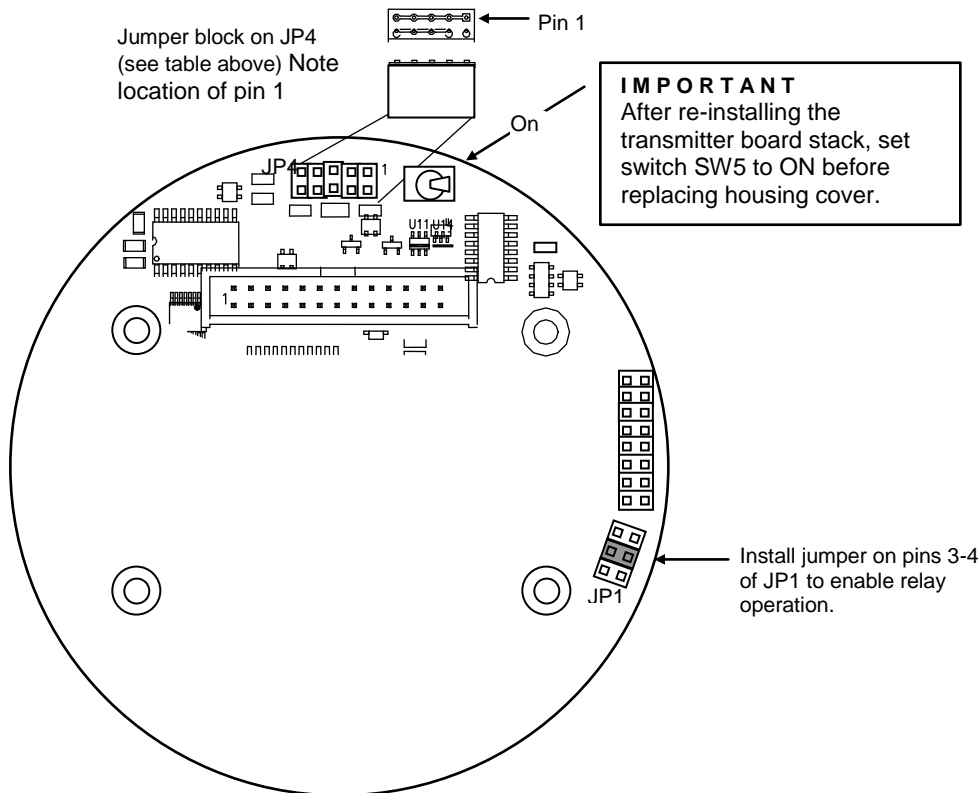


Figure 23. CPU Board configuration

Table 3. Communication option jumpers

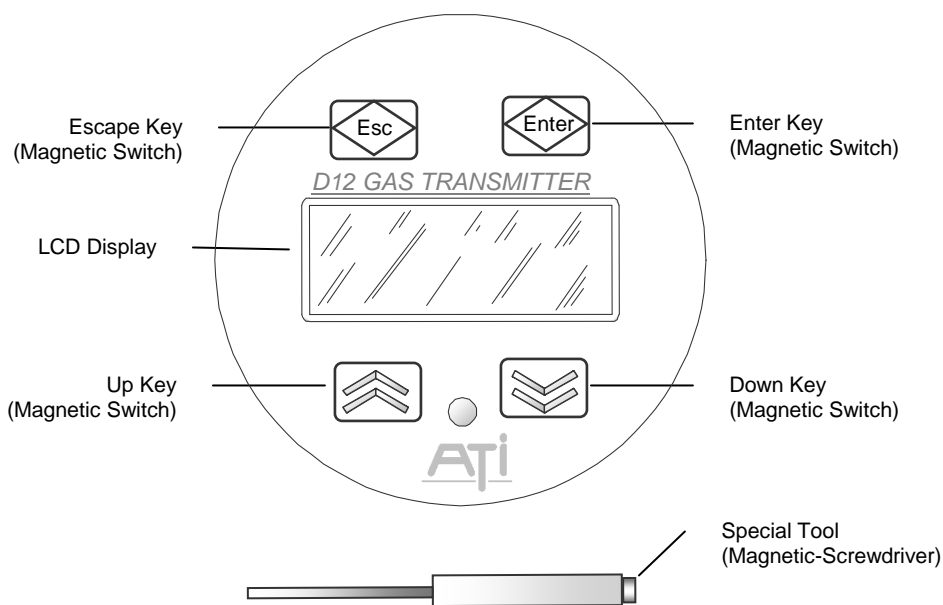
Protocol	Interface	Jumper Plug Label	Comments
HART	Bell 202	N/A	No plug required (okay to install any)
Modbus	RS232	“RS232”	Use to connect one transmitter to a master device in a “point-to-point” configuration. See “D12 Modbus Manual” for details.
Modbus	RS485	“RS485”	Use to connect up to 4 transmitters to a master device in a “multi-drop” configuration. Each transmitter connection biases and terminates the transmission line, as shown below. See “D12 Modbus Manual” for details.
Modbus	RS485	“RS485 Unterminated”	Use to connect more than 4 transmitters to a master device in a “multi-drop” configuration. Transmitters are connected without adding bias or termination. Install one (terminating) “RS485” jumper plug on transmitter at furthest end of transmission line. See “D12 Modbus Manual” for details.
ASCII	RS232	“RS232”	Use to connect one transmitter to a printer, or system terminal (see Data logging section).

# OPERATION

## OPERATOR INTERFACE

### Interface Panel

The D12 operator interface is non-intrusive, so you do not have to remove the housing cover to view the display, configure the transmitter, or calibrate the sensor. It features a backlighted\*, 96x32 dot LCD display, and four “keys”. The keys are implemented as four magnetic switches, each centered below a graphic icon, and activated when a magnet is held approximately 1/4” above the icon. The transmitter is provided with a powerful, magnetic-screwdriver, designed specifically for activating the switches through the housing’s thick, glass window. Throughout this manual, activating keys in this manner is referred to as, “touching” the keys, even though it is not necessary to make physical contact.



*Figure 24. Operator interface panel.*

The operator interface is organized into pages that consist mostly of text objects representing readings, indicators, variables, functions, and links to other pages. Navigating the pages of objects is simplified through the use of a “point-and-click” interface, using an arrow cursor that may be moved from one object to the next by “touching” the up or down key. While the cursor is “pointing” at an object, touching the magnet to the Enter key is said to “select” the object, and the action performed depends on the type of object. If the object is a function, the Enter key executes the function. If a variable is selected for editing, the Up and Down keys change its value, and the Enter key saves it. Touching the Esc key aborts the edit and restores the previous value. If not executing a function, or editing a variable, touching the Esc key returns to the previous page.

(\* back-lighting available in 3- or 4-wire mode, only)

**Startup Review Sequence**

When the transmitter starts, the display cycles through a series of pages to review the configuration of the transmitter, sensor, and generator. Alarms are inhibited, and the output of the transmitter is held at 4.0 mA (17.4mA for Oxygen sensors). This state is maintained for 5 minutes to provide time for the sensor readings to stabilize.

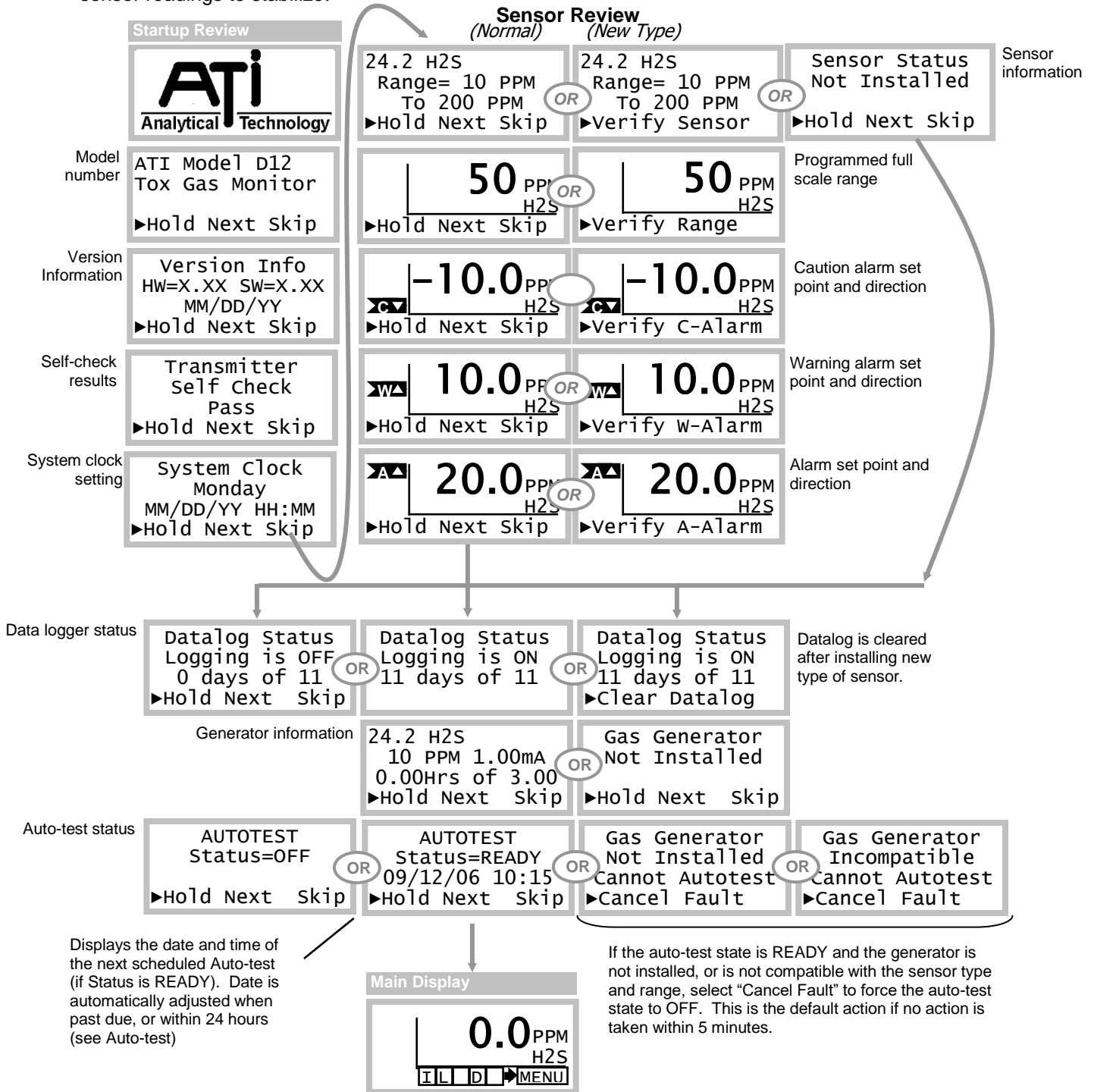


Figure 25. Startup review sequence

**Main Display Page**

The Main Display Page shows the name and concentration of the target gas, and units of measurement (PPM, PPB, %, etc). Indicators on the left and below show alarm and operating status.

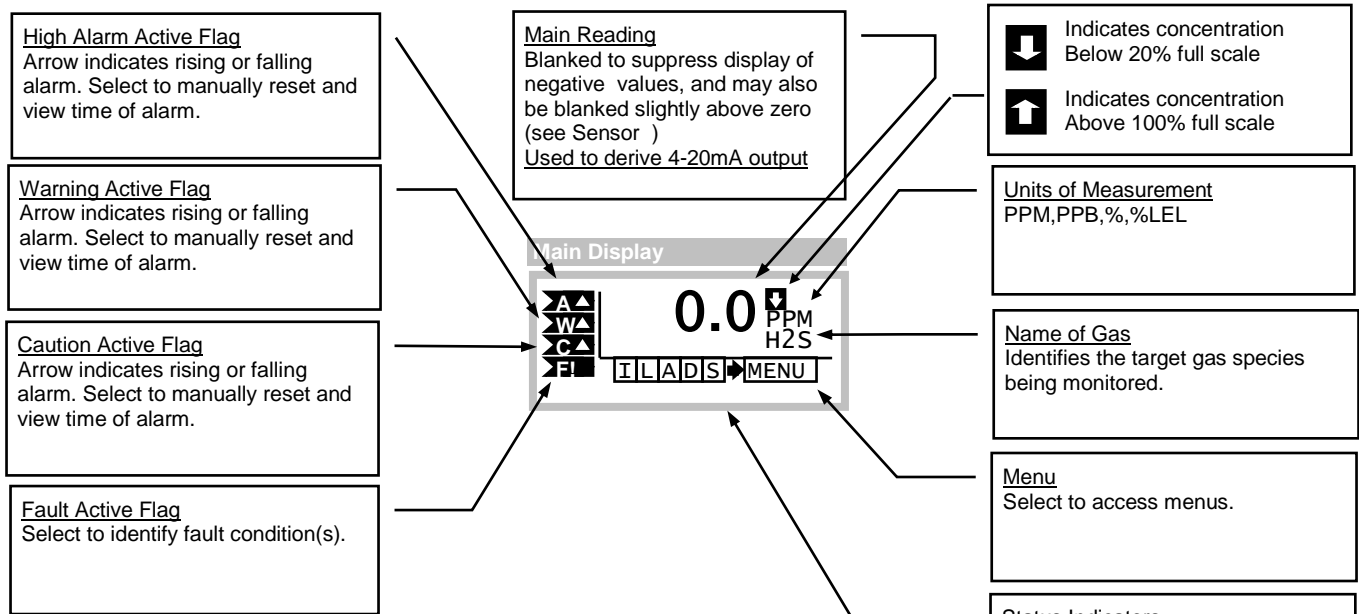
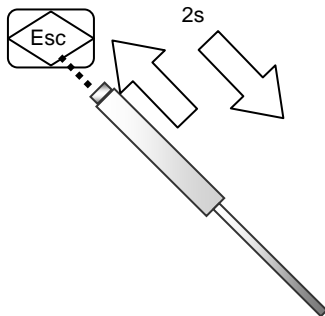


Figure 26. Main display

**Five-minute Time-out Rule**

Most other pages are used for configuring the transmitter and sensor, and have five-minute timeout. That is, after five minutes of no key activity, the transmitter automatically returns to the Main Display page. Exceptions to this rule include the zero and span calibration pages.



**Esc Key Operation (Main Display Page)**

Holding the magnet over the ESC key for 2 seconds, then removing, toggles alarm inhibit mode on and off. If the alarm inhibit mode was off, it is turned on for 15 minutes (default value). If alarm inhibit was on, it is turned off immediately. Alarm inhibit mode is on when the "I" status indicator is visible.

**Fault Indication (Main Display Page)**

Faults are indicated on the Main Display Page as shown in Figure 27.

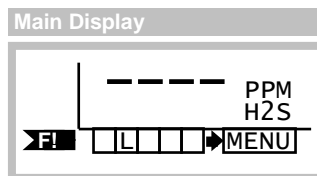
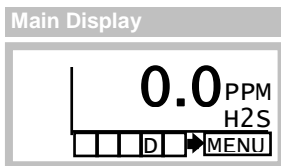


Figure 27. Standard fault indication

**Main Reading**

The main reading represents the gas concentration value and appears on the Main Display, along with the gas name, and units of concentration. It is reported on the 4-20mA output<sup>1</sup>, and is the PV (Primary Variable) reported on the optional HART™ interface. It also appears at register 40043 (D12\_SYS\_CONCBL) on the optional Modbus interface.



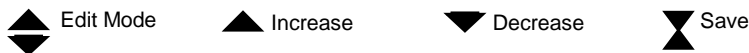
By default, the main reading is blanked to suppress the display of negative values. That is, the reading is reported as zero if the concentration should dip below zero, which can occur over time as a result of sensor aging. If the concentration falls to -20% of the full-scale range, a fault alarm is generated.

Blanking is typically extended slightly above zero, as a means of stabilizing the main reading in the presence of excessive external noise, or other environmental factors (see Sensor Setup Page).

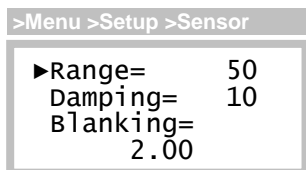
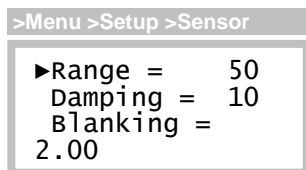
During zero and span calibration, the “un-blanked” gas concentration value is displayed, primarily to assess the amount of positive or negative drift. The “un-blanked” reading is also available on the Modbus interface (request “D12 Transmitter Modbus Interface Manual”, for more information).

**Variable Editing**

When a variable is selected, the edit cursor appears. The shape of the cursor symbolizes the up-down scroll nature of the value being edited. To provide feedback about which key is being activated, the cursor changes to a solid up-arrow when the magnet is touching the Up key, and to a solid down-arrow when the magnet is touching the Down key. When the variable has been adjusted to the desired value, touching the magnet to the Enter key changes the cursor to an hourglass shape while the program is saving the new value (recalculating associated variables and updating non-volatile memories). Touching the magnet to the Esc key discards the edited value and restores the original value.

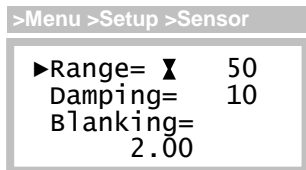
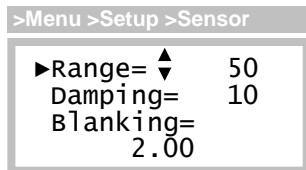


1. Upon entry, the selection cursor points to the first variable for editing.



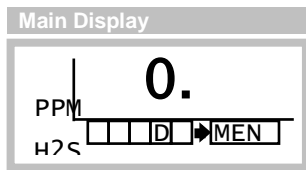
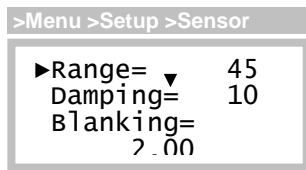
5. Touching the magnet to the ESCAPE key changes the cursor and restores the previous value.

2. Touching the magnet to the ENTER key selects the variable for editing and brings up the edit cursor.



6. Touching the magnet to the ENTER key changes the cursor to the hourglass until the new value is

3. Touching the magnet to the DOWN changes the edit cursor to a down arrow and decrements the value.



7. If left unattended for 5 minutes, operation reverts to normal

4. Touching the magnet to the UP key changes the edit cursor to an up arrow and increments the value

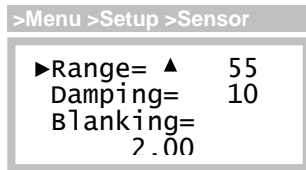


Figure 28. Variable editing

<sup>1</sup> The 4-20mA may not match the reading when the “L” status indicator is visible on the Main Display, or when the output is in a physical limit.



## SENSORS and GENERATORS

### Sensor Setup

The D12 transmitter accepts a wide variety of H10 Smart Sensors, which configure the transmitter with the name of the gas, the full-scale range, units of concentration, blanking, damping, alarm settings, and data to assist the transmitter with transforming the sensor's output signal into a representation of gas concentration. For this reason, it is important to make certain the sensor and transmitter is properly configured for your particular application.

#### Sensor Setup Page

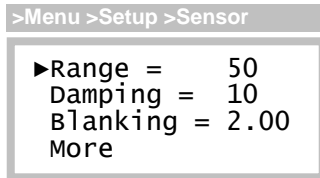


Figure 29. Sensor setup page

Table 4. Sensor variables

Variables	Description
Range	The Range variable sets the 100% full-scale value of the transmitter, which corresponds to the 20mA output value. Changing the range value also changes the Blanking value, which is computed as a fraction of the range. Range limits vary from sensor to sensor.
Damping	The Damping variable allows minor adjustment of the transmitter's auto-damping feature, used to stabilize readings. It is a unit-less value from 1 to 100, where a value of 1 corresponds to a T90 <sup>2</sup> response of approximately 20s, and 100 is a T90 of approximately 30s.
Blanking	The Blanking variable is used to force the main reading to zero, whenever the gas concentration is below the programmed value. In this version of the transmitter, Blanking limits vary from sensor to sensor, but are typically 0 to 5% of the full scale range. Note that the transmitter always performs negative blanking, even when Blanking is set to 0.  The variable is recomputed when the Range variable changes, so that same fraction of range is maintained. Doubling, or halving the Range variable, doubles or halves the Blanking variable, respectively.
More	More is a link to an additional sensor information page (below).

The data-logger records readings as a fraction of the sensor range. If data-logging is turned on (indicated by "D" status indicator on the Main Display), changing the Range variable causes a warning message to appear prior to saving the value. Select "Save" to save the new Range variable, or "Abort" to leave it unchanged.

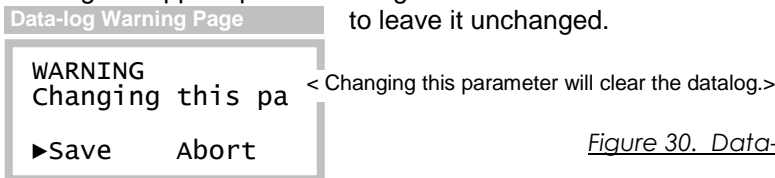


Figure 30. Data-log warning page

<sup>2</sup> T90 is the time required for the transmitter to reach 90% of its final value, after a step change in gas concentration.

Sensor More Page

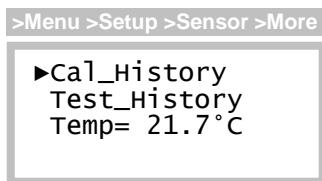


Figure 31. Sensor “more” page

**Table 5. Sensor “more” variables**

Variables	Description
Cal_History	Cal_History is a link to the Calibration History page (see Sensor Calibration Records).
Test_History	Test_History is a link to the Auto-test History page (see Auto-test History)
Temp	The Temp variable is the sensor temperature reading in degrees Celsius, which may be adjusted up or down to achieve a temperature offset calibration.

**Changing H10 Sensors and C18 Generators**

H10 sensors and C18 generators may be “hot-swapped”, that is, removed and replaced with power applied. To remove, rotate the sensor housing lock-ring ¼ turn clockwise (bottom view), slide the molded carrier down, and carefully pull down on the sensor and/or generator body. To install, reload the carrier, push it into the housing, and rotate the ring ¼ turn counter-clockwise (bottom view).

Removing Sensors

Removing the sensor with powered applied starts a 60 second count down timer, during which alarms are inhibited, and the current loop output is fixed at 4.0mA (17.4mA for Oxygen sensors). This “immunity” period should be long enough to reinstall the sensor, or install a replacement sensor. If more time is needed, the count may be stopped indefinitely by selecting “Hold”, which causes it to blink. A “Sensor Removed” fault will occur if a sensor is not installed before the timer expires. Figure 32 illustrates the display sequence associated with removing the sensor.

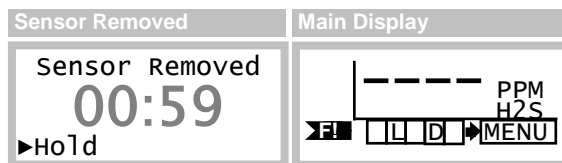


Figure 32. Sensor removal

Installing Sensors

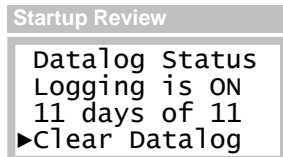
The transmitter maintains a copy of the previously installed sensor and compares the part numbers of the new sensor with the old. If the part numbers match, the transmitter sequences the startup review as normal, beginning with the sensor information<sup>3</sup>. If they do not match, review halts and waits for the

<sup>3</sup> As a convenience during field replacement, the transmitter sets the new sensor’s full-scale range, blanking, damping, and alarms to match the previously installed sensor. This could cause confusion when transferring sensors from field transmitters to shop transmitters for calibration. During review, the shop transmitter will display the settings of the previously installed sensor, which might not match the field transmitter. Fortunately, this is not a real problem. The sensor may be calibrated as normal, and when it is eventually returned to the field, the field transmitter will restore its original settings. Always verify settings of field transmitters.

operator to verify the new sensor, full-scale range, and alarm settings<sup>4</sup>. The startup review is illustrated in Figure 25.



If data logging is turned on (indicated by the “D” status indicator appearing on the Main Display), and the sensor is replaced by one with a different part number, you will be prompted to clear the data log during review.



Once the sensor is installed, the transmitter executes a 5-minute (typical value) warm-up period, during which alarms are inhibited, the 4-20mA output is held at 4mA (17.4mA for Oxygen sensors), and Zero and Span calibration are not permitted.

**NOTE: Sensors can take as long as 12 hours to stabilize (bias) if not previously stored in the sensor keeper.**

**Removing Generators**

When a gas generator is removed, and the auto-test control is “READY”, the transmitter displays a countdown page similar to that for the sensor. Although the generator is not critical to the normal operation of the transmitter, attempting to auto-test without a generator would certainly fail. Selecting “Cancel Fault” forces the auto-test control to “OFF”, which occurs by default on expiration of the timer. The auto-test control must be changed back to “READY” when a new generator is eventually installed. The display sequence associated with removing the gas generator is illustrated in Figure 33.

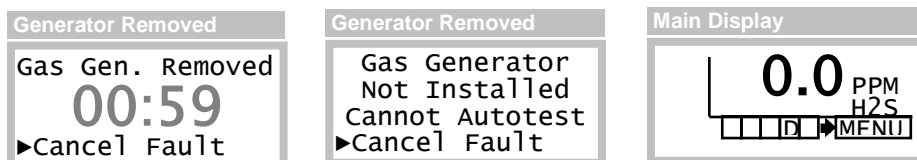


Figure 33. Generator removal

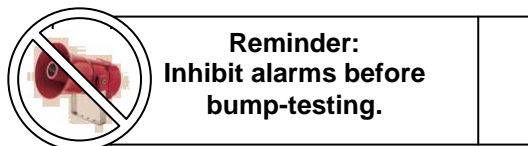
**Installing Generators**

When a generator is installed, the transmitter sequences the startup review, beginning with the generator information, as depicted in Figure 25. If problems with the gas type<sup>5</sup> or range<sup>6</sup> are detected, they are announced during review, and the auto-test control is set to OFF.

<sup>4</sup> After verifying the sensor, the transmitter copies the sensor settings to its local memory.  
<sup>5</sup> Some generators produce a surrogate gas, instead of the sensor’s target gas (see Auto-test)  
<sup>6</sup> Some generators may not produce enough gas to pass Auto-test on higher sensor ranges (see Auto-test).

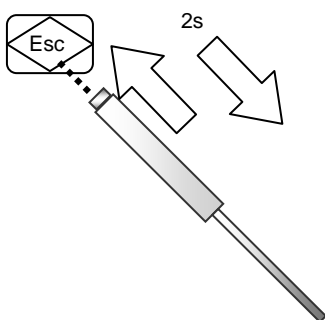
### Bump-Testing

“Bump-testing” refers to a test whereby the sensor is briefly exposed to gas in order to verify the reading moves upscale from zero. It is recommended that it be performed at least once a month, using a small amount of bottled span gas.



Exposing the sensor to any reactive gas could cause false alarms, and can be avoided by temporarily inhibiting them. The most convenient method for doing so is from the Main Display, using the Esc key. This also allows you to view the transmitter reading to verify the sensor’s response.

*To quickly inhibit alarms...*



Hold the magnet over the ESC key for 2 seconds, and remove it. This will toggle the alarm inhibit mode on for 15 minutes (default value), hold the current loop at 4mA (17.4mA for Oxygen sensors<sup>7</sup>), and cause the “I” and “L” status indicators to appear. Repeat the procedure when finished with the bump-test, and verify the flags disappear. See “Inhibiting Alarms” for more details.

---

<sup>7</sup> Oxygen sensors are usually exposed to air continuously, and do not require bump-testing.

## Calibration

### Calibration Frequency

While the transmitter itself requires no periodic calibration, H10 sensors should be “zero” and “span” calibrated every 3-6 months, based upon environmental factors. Sensors frequently exposed to dirt, oil mist, vapors, or very dry air, may require more frequent calibration.

### Zero Calibration

As the name implies, zero calibration corrects the transmitter reading to zero in the absence of any reactive gas. During zero calibration, the transmitter offset error is stored, and subsequently subtracted from future readings. ATI recommends bottled zero gas as a source, which should be selected based on the type of sensor. For example, bottled “Zero” Air may be used to zero Chlorine sensors, but Oxygen sensors require bottled Nitrogen gas.

### Span Calibration

The role of span calibration is to correct the transmitter reading to a known concentration of target gas (the gas for which the sensor was designed to monitor). During span calibration, the transmitter effectively stores the slope of the error, and divides it out of subsequent readings. Sensors for most gases, such as Ammonia, require a bottled “span gas” source. This applies even to Oxygen sensors, where the span gas source is bottled zero air.

### Calibration Terminology

The zero calibration is referred to as, “zero”, “zeroing”, and “zeroed”. Likewise for the span calibration, which appears as, “span”, “spanning”, and “spanned”. As with most instruments, zero calibration should be performed before span.

### Calibration Kits

Calibration kits, containing zero and span bottle gas sources, are available from ATI for many toxic gases. Contact ATI, or your local ATI representative, if you have questions about calibration gas kits or gas sources.

### Indications During Sensor Calibration

The “un-blanked” gas concentration value is displayed during zero and span calibration, primarily to observe any slight amount of positive or negative drift. In addition, alarms are cleared and inhibited, and the 4-20mA output of the D12 transmitter is locked at 4.0mA (transmitters equipped with Oxygen sensors are locked at 17.4mA, representing normal, 20.9% atmospheric Oxygen). The 4-20mA output will not change when gas is applied and removed, and for 15 minutes thereafter (the default value). While viewing the calibration pages, the LCD display will indicate the changing gas concentration.

### Calibration Exceptions

Zero and span calibration are not allowed during the following conditions:

- ❖ Sensor removed, or in 5-minute<sup>8</sup> warm-up period
- ❖ Transmitter fault is active
- ❖ Auto-test is active (“A” status indicator appears on Main Display page)

To help prevent errors, zero and span are not allowed if the sensor output, or span value entered, is too high or too low. Memory errors are reported if detected while updating the sensor or transmitter memory.

---

<sup>8</sup> Typical value, may vary by sensor gas type.

## ATI Series D12 Toxic Gas Transmitter with H10 Smart Sensor

### Zero Calibration Procedure

Performing a zero calibration requires a bottled “Zero-gas” with a 500 cc/min regulator, calibration adapter, and a convenient length of 1/4” tubing. The gas used depends on the type of sensor installed. For example, an H<sub>2</sub>S sensor may be zeroed with Zero-air, while Oxygen sensors must be zeroed with Nitrogen. In some cases, a sensor may be zeroed directly to the atmosphere, but only when it is known to be free of reactive gasses. Check with the factory if you are uncertain about which gas to use.

Referring to Figure 34, push the calibration adapter onto the exposed end of the sensor and connect one end of the tubing (1), connect the other end of tubing to the cylinder’s regulator (2). Do not open the gas valve until instructed below.

From the Main Display, select Menu, then Zero\_Sensor, as shown in Figure 35. This will clear and inhibit alarms at the transmitter, and hold the current loop output at 4mA (17.4mA for Oxygen sensors).

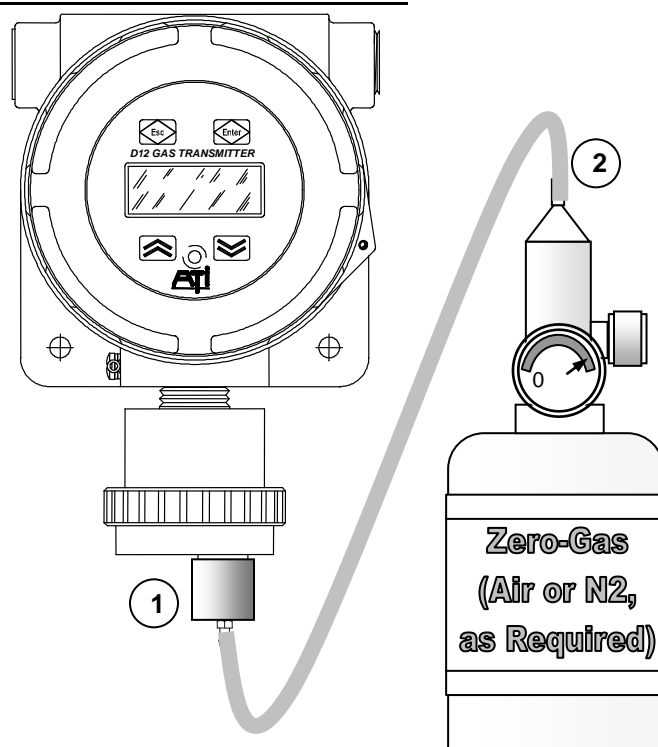


Figure 34. Zero calibration

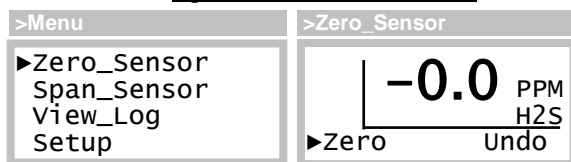


Figure 35. Zero\_Sensor page

Open the regulator to flow Zero-gas to the sensor. After approximately four minutes, select Zero. The “Cal” message will appear briefly at the bottom of the page and the reading will be forced to 0, 0.0, or 0.00. Since the reading is not blanked, it may show a negative sign, like “-0.0”, which is normal. The procedure may be cancelled by selecting Undo. The Undo function is only possible while remaining on the Zero\_Sensor page. Leaving the page will disable the possibility of canceling the calibration.

Touch the Escape key twice to leave the Zero\_Sensor page and return to the Main page. By default, alarms will remain inhibited, and the current loop fixed for 15 more minutes (the default value).

## ATI Series D12 Toxic Gas Transmitter with H10 Smart Sensor

### Span Calibration Procedure

Span calibration\* requires a bottled “span-gas” with a 500 cc/min regulator, calibration adapter, and a convenient length of ¼” tubing. The gas type and concentration used depends on the type of sensor installed. Check with the factory if you are uncertain about which gas to use.

Referring to Figure 36, slip the calibration adapter onto the exposed end of the sensor and connect one end of the tubing (1), connect the other end of tubing to the cylinder’s regulator (2). Do not open the gas valve until instructed below.

\* Perform the Zero calibration prior to the Span calibration.

From the Main Display, select Menu, then Span\_Sensor, as shown in Figure 37. This will clear and inhibit alarms at the transmitter, and hold the current loop output at 4mA (17.4mA for Oxygen sensors).

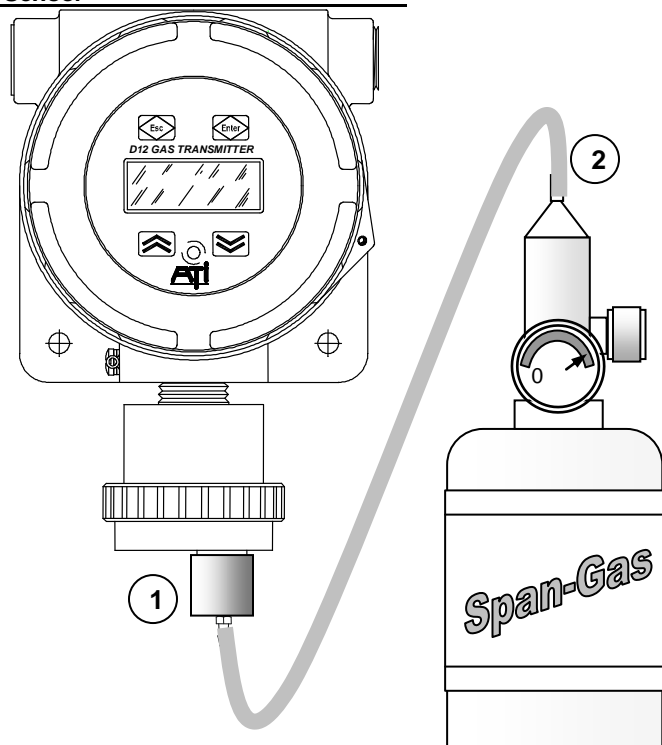


Figure 36 Span calibration

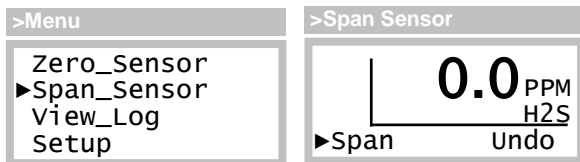
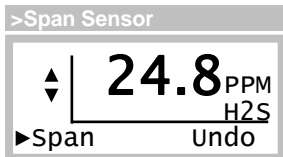
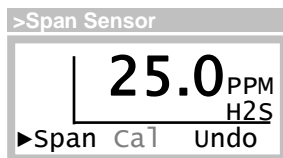


Figure 37. Span Sensor page

Open the regulator and allow span gas to flow to the sensor. The displayed reading should begin to increase, and stabilize after 5 to 10 minutes, depending on the gas type and range of the sensor.



Select Span, the concentration reading will become fixed, and the blinking Up/Dn edit cursor will appear just to the left of the reading. Touch the Up or Down key to correct the reading to match the known concentration of gas, then touch Enter.



The ‘Cal’ message will appear briefly at the bottom of the page. The procedure may be cancelled by selecting Undo. The Undo function is only possible while remaining on the Span\_Sensor page. Leaving the page will disable the possibility of canceling the span calibration.

Touch the Escape key twice to leave the Span\_Sensor page and return to the Main page. Disconnect the calibration adapter from the sensor and permit the readings to return to zero. By default, alarms will remain inhibited and the current loop fixed for 15 more minutes (the default value). Once the reading is below any of the alarm set points, you may terminate the alarm inhibit (and fixed loop output) using the Esc key on the Main Display, see Esc Key Operation (Main Display Page).

**Calibration of Duct-Mount H10 Sensors**

To Zero and Span calibrate a duct-mounted H10 sensor; pull the sensor out of the duct until the calibration locking pin clicks into the retaining slot. By pulling back slowly, the retaining pin will drop into place and automatically locate the sensor just behind the gas inlet port. Connect a length of tubing from the gas regulator to the barb fitting, and then follow the zero and span calibration procedures detailed earlier.

<b>For best results, pressure in the pipe or duct should be neutral, or slightly negative. Positive pressure may restrict the flow of calibration gas to the sensor, resulting in an inaccurate calibration.</b>
--

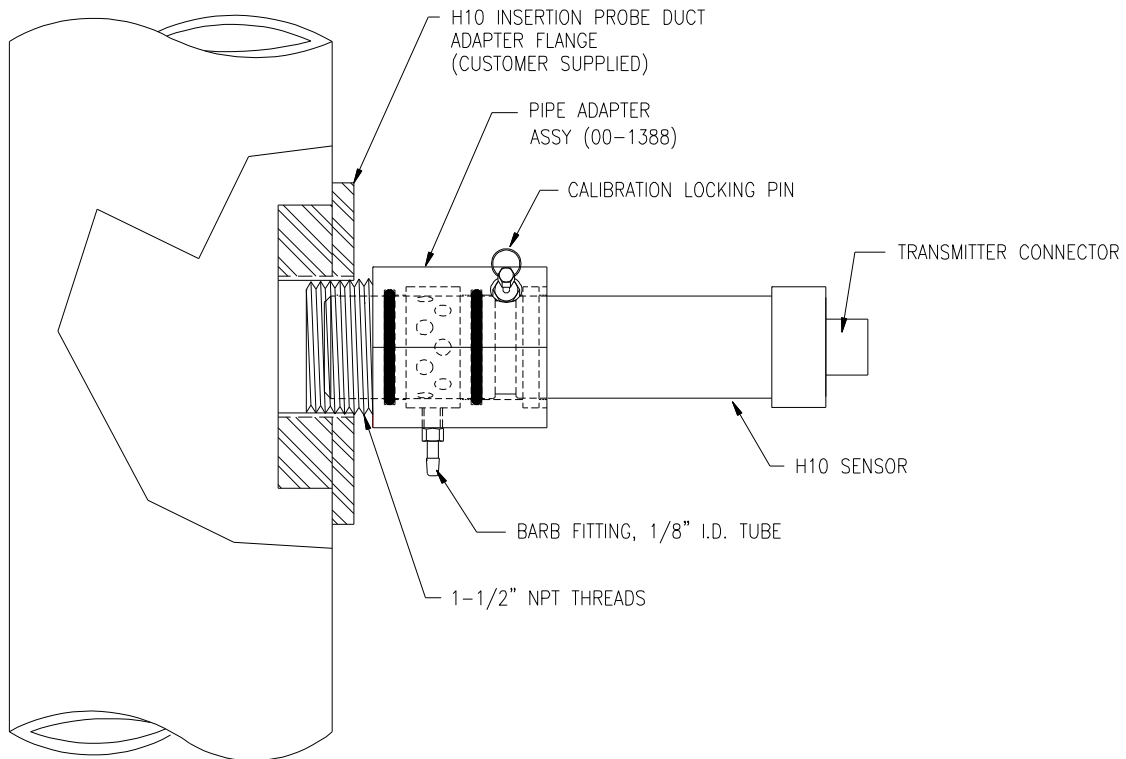
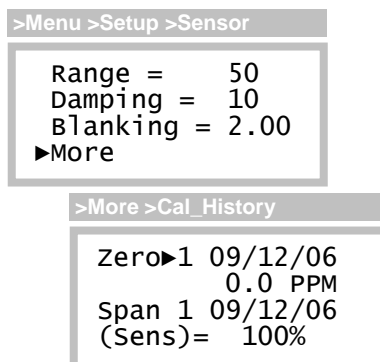


Figure 38. Calibration of duct-mount H10 sensors (ATI-0664)



### Sensor Calibration Records

A calibration record is written into the sensor memory each time a zero or span calibration is performed, and when a calibration Undo is performed. Enough memory is reserved for 63 zero calibrations and 63 span calibrations. Zero and span calibration records are accessed on the Cal\_History page.



*Figure 39. Sensor calibration history page*

Zero calibration records are accessed on line 1, and are composed of an index number, date, and the concentration reading just prior to performing the calibration. The concentration reading can be thought of as the sensor "drift" from the previous zero calibration. Upon entry, the index number is set to the most recent calibration and may be scrolled down to view earlier calibration records.

Span calibration records are accessed on line 3, and include an index number, date, and the relative sensitivity of the sensor, in percent. Like the zero records, the index number is set to index the most recent calibration and may be scrolled down to view earlier calibration records. Span calibrations record the deviation from the reference sensitivity and display it in units of percent. Sensitivity is a measure of the sensor output for a given exposure to gas. More specifically, it is defined as the ratio of the signal output to the gas concentration and is often measured in  $\mu\text{A}/\text{PPM}$ . During manufacture, the sensitivity of the sensor is recorded and used as a reference. A value of 100% signifies that the sensitivity has not changed from the reference e.g., the sensor calibration is the same as it was when the system was calibrated at the factory. Lower values indicate a decreased sensitivity and, although not typical, higher values indicate increased sensitivity.

## **Auto-test**

The Auto-test option verifies the serviceability of the transmitter on a prescribed schedule by exposing the sensor to a small amount of gas, and verifying a minimum response. Three attempts per test are made, and if the sensor does not respond on the third attempt, a fault alarm is triggered (may be optionally disabled). A summary of pass, fail, and retry counts are maintained in the sensor memory, and may be viewed on the Auto-test History page.

The test is performed at a specific time of day, and may be scheduled to repeat every 1 to 14 days. The date and time of the next test is available for editing, and the test may be triggered manually at any time, without affecting the preset schedule.

During startup, the transmitter examines the date and time of the next scheduled Auto-test. If the scheduled time and date has past, or if it is scheduled to occur within the next 24 hours, the transmitter moves the date by one day to provide a minimum of 24 hours before the first (or next) test is performed. This is done to allow sensors an additional “settling time”, and to avoid confusion to installers during the commissioning period. Set the system clock to local time before scheduling the Auto-test time of day.

The Auto-test option requires a C18 gas generator, which must be compatible with the installed sensor’s gas type, and full-scale range.

lists gas compatible generators and sensors. Contact factory for a complete list.

Table 6. Compatible generators and sensors

C18 Generator Part No.	Generator Type	<u>Compatible H10 Sensors</u>			
		Sensor Type	Part No.	Min. Range	Max. Range
00-1239	Cl <sub>2</sub>	Br <sub>2</sub>	00-1000 00-1001	1 PPM 5 PPM	5 PPM 20 PPM
		Cl <sub>2</sub>	00-1002 00-1003	1 PPM 5 PPM	5 PPM 20 PPM
		ClO <sub>2</sub>	00-1004 00-1005	1 PPM 5 PPM	5 PPM 20 PPM
		F <sub>2</sub>	00-1006 00-1007	1 PPM 5 PPM	5 PPM 20 PPM
		O <sub>3</sub>	00-1008 00-1009	1 PPM 5 PPM	5 PPM 20 PPM
		HF	00-1019	10 PPM	20 PPM
		NO <sub>2</sub>	00-1022	10 PPM	20 PPM
		I <sub>2</sub>	00-1036 00-1037	1 PPM 5 PPM	5 PPM 20 PPM
		Acid Gas	00-1038	10 PPM	20 PPM
00-1240	NH <sub>3</sub>	NH <sub>3</sub>	00-1010	50 PPM	100 PPM
		DMA*	00-1450	100 PPM	100 PPM
00-1241	CO	CO	00-1012	50 PPM	100 PPM
		ETO	00-1039	20 PPM	50 PPM
		HCOH	00-1040	20 PPM	50 PPM
00-1243	H <sub>2</sub> S	H <sub>2</sub> S	00-1020	10 PPM	100 PPM
		HCl	00-1017	10 PPM	100 PPM
00-1244	SO <sub>2</sub>	SO <sub>2</sub>	00-1023	10 PPM	20 PPM
		HCN	00-1018	10 PPM	20 PPM

\* DMA (Dimethylamine) compatible on one range only.

**Auto-test Controls**

Auto-test is controlled by the Status variable, which appears on the Auto-test page shown below.

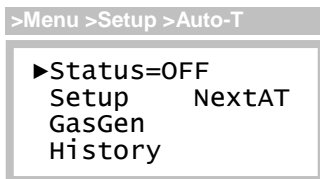


Figure 40. Auto-test control page

Table 7. Auto-test control variables

Variables	Description
Status	<p>The variable Status may be set to one of three values:                      OFF – Auto-test will not begin automatically                      READY – Auto-test will occur on a regularly scheduled basis                      START – Auto-test will run once after returning to the Main Display page, and does not affect the preset schedule.</p> <p>If a generator is not installed, Status will be forced to OFF, and may not be changed to READY or START until one is installed.</p> <p>Setting the Status variable to START will not begin a manual Auto-test until you return to the Main Display page. This is designed to permit changes to the setting, or other settings, before launching the Auto-test sequence.</p>

**Auto-test Setup**

The Auto-test setup page configures the Auto-test schedule pass threshold, and options for various transmitter indications.

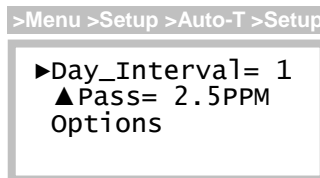


Figure 41. Auto-test setup page

Table 8. Auto-test setup variables

Variables	Description
Day_Interval	The Day_Interval variable specifies the number of days between automatic tests. The default is 1, and the limit is 1 to 14 (the exact time of day for testing may be set on the NextAT page, see below).
▲Pass	<p>The delta-Pass variable specifies the amount by which the gas concentration must increase, in order to pass. Prior to starting the test, this amount is added to the “un-blanked” gas concentration reading to compute the pass threshold value that appears on the display (see Auto-test Sequence). This value is limited between 5%(default value), and 10% of the full-scale range (see Range in Table 4)</p>
Options	Options is a link to the Auto-test Options page (below).

**Auto-test Setup Options**

>Menu>Setup>Auto-T>NextAT

▶Log\_Data=YES  
Cause\_Fault=YES  
Override\_mA=YES

The Auto-test Setup Options page variables control the behavior of the transmitter during Auto-test.

Variables	Description
Log_Data	The Log_Data variable controls values logged during Auto-test. When set to YES (default), the gas concentration (main reading) is logged as usual, including any increase caused by the gas generator. When set to NO, a code is logged that will display as, "TEST", on graphic and tabular report pages, and printouts.
Cause_Fault	The Cause_Fault variable determines if Auto-test failures cause transmitter fault alarms. When set to YES (default), a failure to pass Auto-test after the third attempt will cause a fault alarm, and force the 4-20mA output to the Fault_mA value, regardless of how the test was initiated (automatic or manual). When set to NO, Auto-test failures do not cause fault alarms (not recommended).
Override_mA	The Override_mA variable controls the 4-20mA output during Auto-test. When set to YES (default), the 4-20mA output will be forced to the Autotst_mA value to prevent receiver alarms (see 4-20mA Setup). When set to NO, the output will increase as the gas concentration rises, and may cause receiver alarms (not recommended).

**Next Auto-test**

>Menu>Setup>Auto-T>NextAT

Next Auto Test  
▶09/14/06 09:00

The date and time of the next scheduled Auto-test appears on the NextAT page. The time appearing on this page establishes the time of day for all future Auto-tests. After each Auto-test, the date will be incremented by the Day\_Interval variable on the Auto-test Setup page (above). Note that if the Auto-test Status variable is set to READY, and the next auto-test setting is deliberately (or unintentionally) scheduled in the past, an Auto-test is immediately scheduled. This is apparent upon

returning to the Auto-test control page (above), and seeing the Status variable blinking START. At this point, you may change the control to OFF, change the system clock, then change the control back to READY.

During startup, the transmitter examines the date and time of the next scheduled Auto-test. If the scheduled time and date has past, or if it is scheduled to occur within the next 24 hours, the transmitter moves the date by one day to provide a minimum of 24 hours before the first (or next) test is performed. Set the system clock to local time before scheduling the Auto-test time of day.

**Auto-test History**

>Menu>Setup>Auto-T>History

```
Passes=    267
Failures=    1
Retries=    2
▶Reset(Y/N)=NO
```

The Auto-test History page provides a summary of passes, failures, and retries, which are maintained in the sensor memory. Since three attempts are made, there are always two retries before a failure is recorded. The total number of tests is the sum of the passes and failures, and the number of gas generations is the sum of all three values.

The Reset function permits all counts to be zeroed. This is done by selecting Reset, and scrolling the value to YES. Clearing the counts is not recommended, since this information can prove useful over the lifetime of the sensor.

**Gas Generator Information**

>Menu>Setup>Auto-T>GasGen

```
11.1 C12
0.25PPM 0.26mA
0.07mAH Used
▶Exit
```

The Gas Generator page lists information about the C18 gas generator. The top line contains the generator gas code and the chemical abbreviation of the gas. The second line shows the delta-Pass value (described on the Auto-test Setup), and the amount of current required generate that particular concentration. The third line displays the mAH consumption of the generator. Selecting the Exit function returns the display to the previous page.

**Auto-test Sequence**

When the Auto-test starts (automatically or manually), alarms are inhibited and by default, the loop is fixed at 4mA (see Auto-test Setup Options and 4-20mA Setup). The transmitter will then step through a series of displays representing the test sequence.

Alarm relays are inhibited during Auto-test, and for up to 10 minutes afterwards during the recovery period. If a gas leak occurs during the recover period, will cancel the alarm inhibit and revert to normal operation. A gas leak is presumed when the concentration rises to 50% of the full-scale range, or higher.

While the alarms are inhibited during Auto-test, the 4-20mA output will usually be at a fixed level (Override\_mA=YES). The output override may be disabled by setting Override\_mA=NO, however, steps should be taken to disable receiver alarms in the control room.

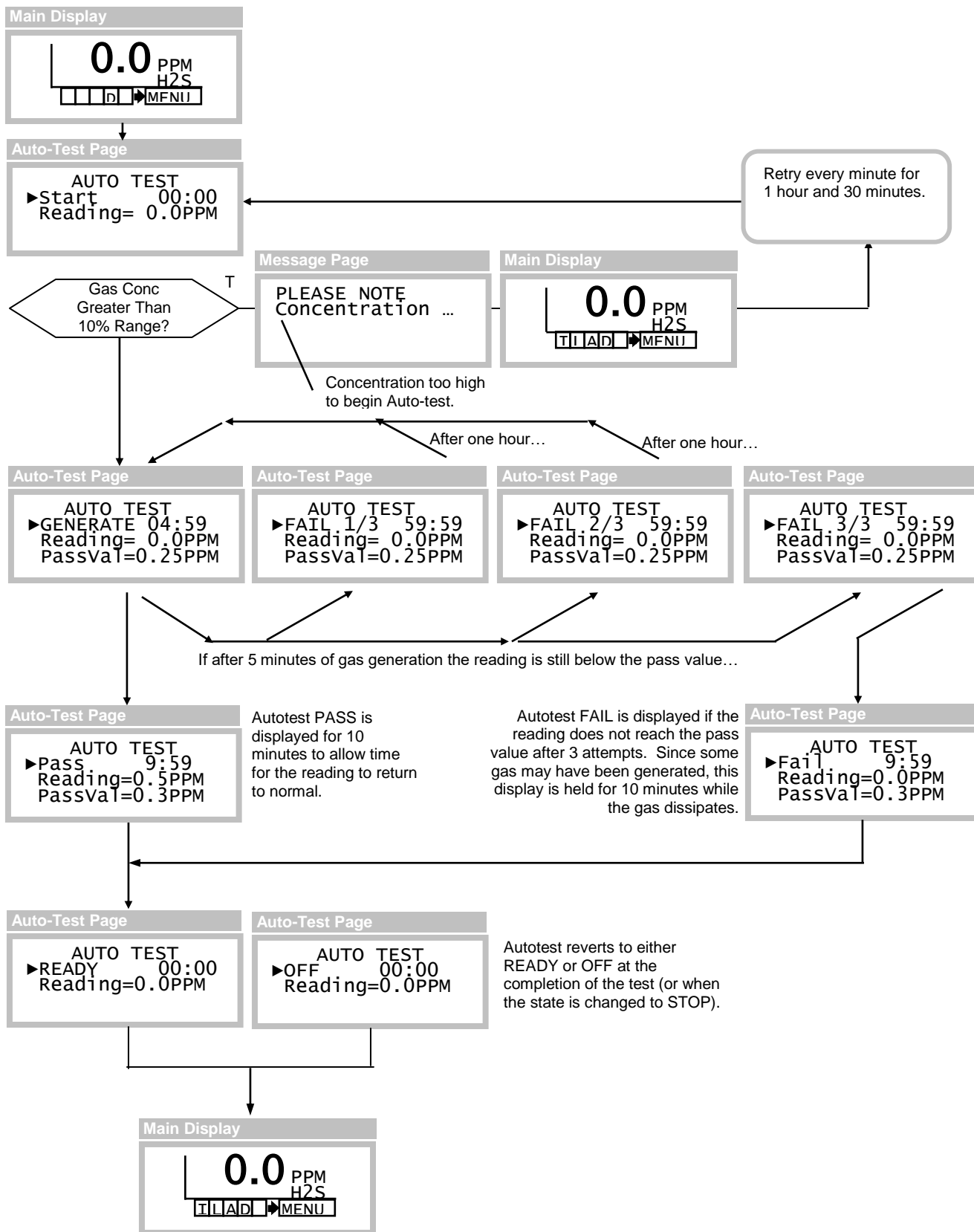


Figure 42. Auto-test sequence

**ALARMS and RELAYS**

Three gas concentration alarms and one fault alarm are standard in the D12 transmitter. Alarm status flags appear on the Main Display, and status is available over the optional serial interface. Alarms may be assigned to activate one or more of three optional relays (see Alarm Relays).

**Gas Concentration Alarms**

The gas alarms are labeled, Caution, Warning, and Alarm, and although not strictly enforced, Alarm usually has the highest priority, followed by Warning and Caution. Figure 43 depicts the default relationship between each alarm.

For toxic gas sensors, the typical default setting for the Warning alarm is the TLV (threshold limit value) of the target gas. Alarm is usually set to 2 or 3 times higher than the TLV, and Caution is typically used to alarm on negative drift of -10% range or more (a fault alarm occurs if the reading drifts to -20% range, or below).

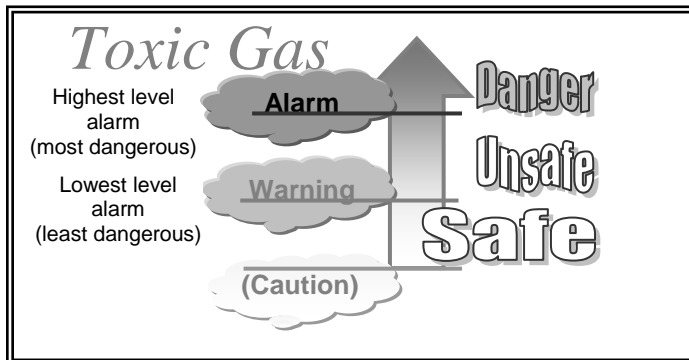


Figure 43. Default alarm relationships for toxic gas sensors.

Normal atmospheric oxygen is 20.9%. Oxygen sensor alarms default to: Warning 19.5%, Alarm 16%, and Caution 23%. Note that Caution is used to trap positive sensor drift.

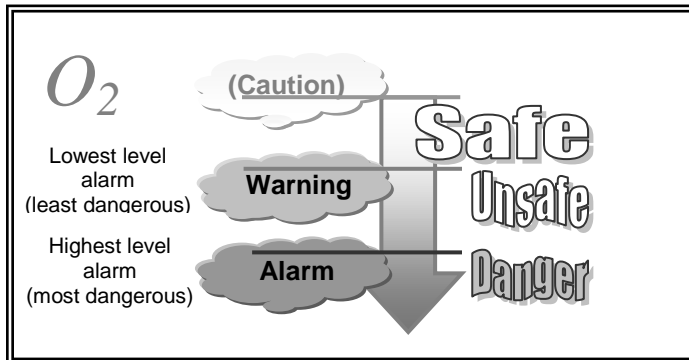


Figure 44. Default alarm relationships for oxygen sensors

**Manual Alarm Reset**

Alarms programmed for manual reset (see below) are held active, or latched, even after alarm conditions have subsided, and are reset by selecting the respective flag (A,W, or C) on the Main Display page. The Alarm Reset page appears and displays the date and time of the alarm. If alarm conditions have subsided, you may reset just the selected alarm (Reset), or all alarms (ResetAll). A link to the Alarm Inhibit page is provided for convenience.

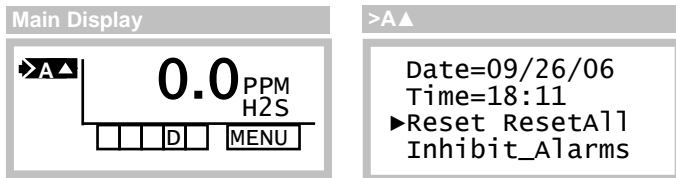


Figure 45. Manual alarm reset

**Remote Reset**

Grounding the "Remote Reset" input (see Figure 8) resets all latched alarms, if the respective alarm conditions have subsided.



**Gas Alarm Operation**

Figure 46 depicts relationships between variables associated with a rising gas alarm, and how they function in the presence of a gas leak, and recovery.

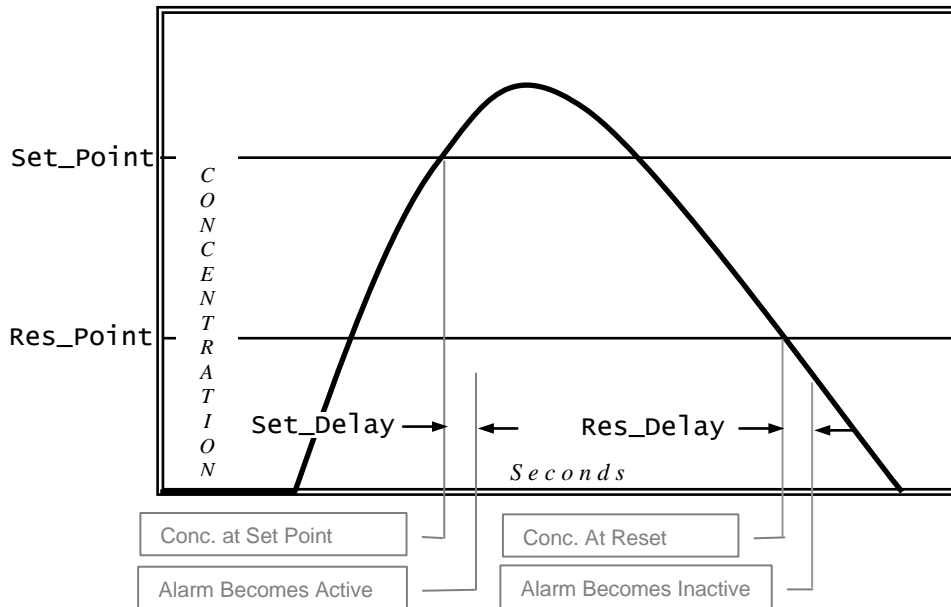


Figure 46. Rising alarm (Active=ABOVE SP, Reset=AUTO)

Figure 47 depicts relationships between variables associated with a falling gas alarm (such as for Oxygen deficiency), and how they function in the presence of a gas displacement, and recovery.

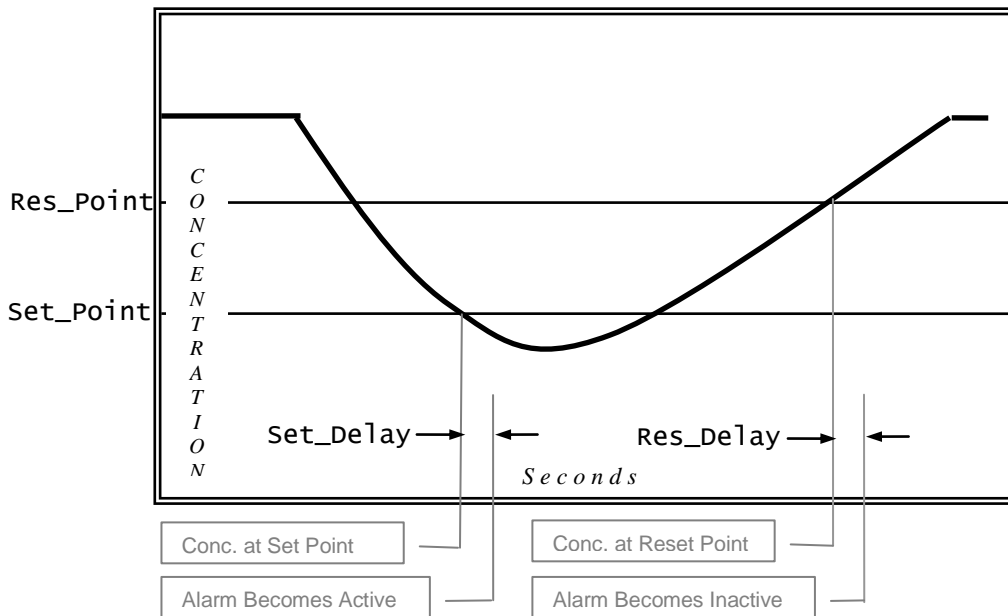


Figure 47. Falling alarm (Active=BELOW SP, Reset=AUTO)

**Gas Alarm Setup**

Variables for the gas alarms are configured on the respective setup pages, as shown in Figure 48, and described in Table 9.

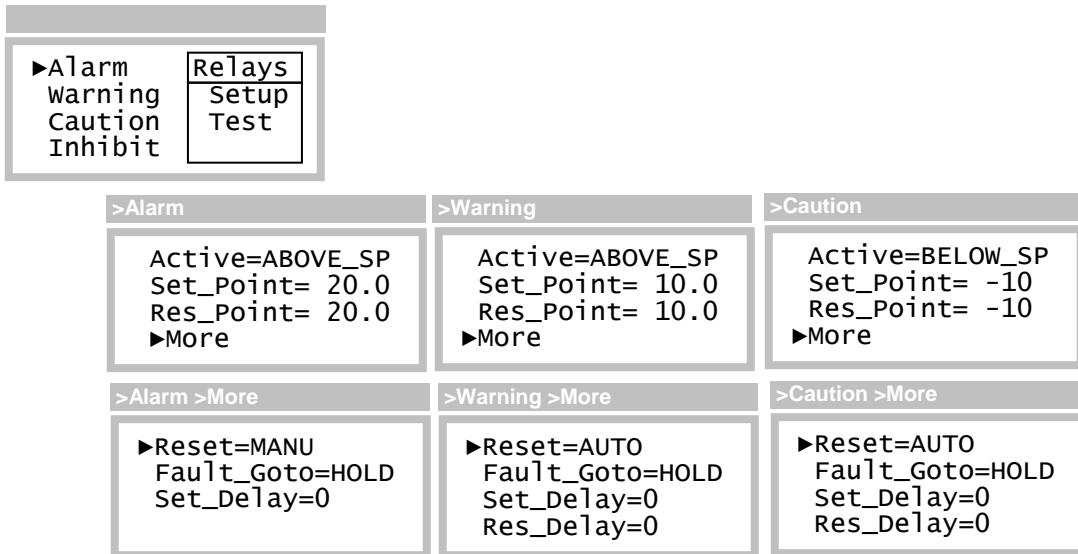


Figure 48. Alarm setup pages

Table 9. Alarm variables

Variable	Description
Active	The Active variable is used to specify the region of concentration where the alarm is active. When set to ABOVE_SP, the alarm becomes active at and above the set point (referred to as a rising alarm). When set to BELOW_SP, the alarm becomes active at and below the set point (referred to a falling alarm). Setting the value to DISABLED permanently deactivates the alarm. The variable setting is stored in the sensor memory.
Set_Point	The Set_Point variable defines the concentration level that the alarm becomes active. The alarm becomes active immediately if the set delay variable is 0, otherwise, it becomes active at the expiration of the set delay period. When the set point is reprogrammed, the reset point value is also reprogrammed to the same value.
Res_Point	The Res_Point variable defines the concentration level that the alarm becomes inactive. Once the alarm is active, it will remain active until the concentration level reaches the reset point. The alarm then becomes inactive immediately if the set delay variable is 0, otherwise, the alarm becomes inactive at the expiration of the reset delay period (only if the reset variable is programmed as AUTO – see below). The limits for the reset point are defined below.
	Active=ABOVE_SP Upper limit = current set point value Lower limit = lowest set point value
	Active=BELOW_SP Upper limit = highest set point value Lower limit = current set point value

---

Reset	<p>When the set point is reprogrammed, the reset point value is reprogrammed to the same value.</p> <p>The Reset variable defines how the alarm is permitted to transition from active, to inactive. When the variable is set to AUTO, the alarm will transition without operator intervention, as soon as conditions permit (concentration reaches the reset point, and the reset delay period expires). When the variable is set to MANU, the alarm conditions must have subsided, and an operator must acknowledge the alarm manually, through the operator interface, the serial interface, or through the remote reset (see Electrical Connections, page 12).</p>
Fault_Goto	<p>Note: Res_Delay is operational for AUTO only. Setting the Reset variable to MANU suppresses display of the Res_Delay variable.</p> <p>The Fault_Goto variable specifies alarm behavior during transmitter faults, and overrides all other alarm settings. If the fault alarm should become active, you may program the concentration alarm to behave in one of three ways:</p> <p>HOLD - the transmitter will attempt to hold the alarm in its current state. If the alarm is active, it will remain active. If the alarm is inactive, it will be inhibited from becoming active until after the fault is cleared.</p> <p>SET - activates the alarm immediately, the set delay period is ignored. This feature permits the alarm to signal both concentration and fault conditions.</p> <p>RESET – deactivates the alarm immediately, the reset delay period is ignored.</p>
Set_Delay	<p>The set delay variable is used to configure the amount of time in seconds that the concentration must be in the alarm active region before becoming active. It may be used to avoid triggering alarms on relatively short gas exposures. Also, it may be used to help prevent alarm relay chattering when the concentration level is varying between the set point and reset point. The variable may be programmed between 0 (its default) and 10 seconds.</p>
Res_Delay	<p>The reset delay variable is only displayed when the Reset variable is set to AUTO. It is used to configure the amount of time in seconds that the concentration must be in the alarm inactive region before becoming inactive. Like the set delay variable, it may be used to help prevent alarm relay chattering and is preferred over using set delay. The variable may be programmed between 0 (its default) and two hours (7200 seconds).</p>

---

**Fault Alarms**

When a fault alarm occurs, the Main Display appears as shown below. By default, new alarms are inhibited, and active alarms are held so that relays controlling lights, sirens, and fans may continue to operate (this behavior may be modified on the Alarms Setup pages). Faults are permitted to clear automatically, without operator intervention, if they do not persist.

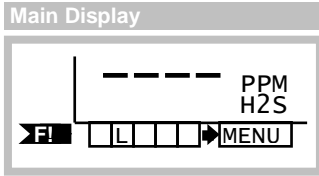


Figure 49. Fault alarm (Main Display)

Selecting the fault alarm flag causes the transmitter to display the fault code on line 1, and a description of the problem(s) on line 2. Selecting the Next function causes line 2 to display the next fault, if any.

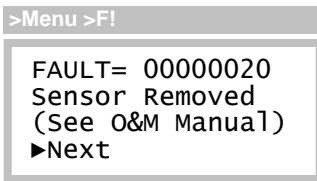


Figure 50. Fault page

**Corrective Actions**

Transmitter faults may be caused by improper wiring, ground loops, power supply sizing, current loop receivers, and other external factors.

1. At power on, transmitters can demand 2 or 3 times the normal amount of supply current. If the supply is not sized properly, transmitters may not power on, or may produce a fault in the external power supply. If this is suspected, try starting transmitters one at a time using switch SW5 on the CPU Board.
2. Check that each transmitter has the proper supply voltage at TB1 on its Power Supply Board. The D12 Toxic Gas Transmitter requires at least 12v in all wiring modes.
3. When troubleshooting, it is permissible to temporarily swap sensors, generators, and board stacks with other transmitters. When finished, you MUST RE-VERIFY all transmitter settings, especially sensor, alarm, and 4-20mA settings. Also note that swapping components may result in losing data log records, since the log is dependent on sensor part numbers, and the full-scale range.

Table 10 lists transmitter faults and corrective actions.

Table 10. Fault descriptions

Fault	Description	Corrective Action(s)
ADC0 Read Error	The analog-to-digital converter channel assigned to the sensor's gas concentration output signal has failed, or is out of range.	<ol style="list-style-type: none"> <li>1. Cycle power off and on</li> <li>2. Replace sensor</li> <li>3. Replace upper stack</li> <li>4. Replace full stack</li> </ol>
LCD Busy Error	The LCD driver chip cannot recover from an internal error.	<ol style="list-style-type: none"> <li>1. Cycle power off and on</li> <li>2. Replace upper stack</li> <li>3. Replace full stack</li> </ol>
SPI Bus Error	Serial peripheral interface bus has faulted.	<ol style="list-style-type: none"> <li>1. Cycle power off and on</li> <li>2. Replace upper stack</li> <li>3. Replace full stack</li> </ol>
ADC1 Read Error	The analog-to-digital converter channel	<ol style="list-style-type: none"> <li>1. Cycle power off and on</li> </ol>

	assigned to the sensor's temperature output signal has failed, or is out of range.	<ol style="list-style-type: none"> <li>2. Replace sensor</li> <li>3. Replace upper stack</li> <li>4. Replace full stack</li> </ol>
Sensor (-)Range	The sensor has drifted -20% range (below zero).	<ol style="list-style-type: none"> <li>1. Zero sensor</li> <li>2. Replace sensor</li> </ol>
Sensor Removed	The sensor cannot be detected.	<ol style="list-style-type: none"> <li>1. Reinstall sensor</li> <li>2. Cycle power off and on</li> <li>3. Replace sensor</li> <li>4. Replace upper stack</li> <li>5. Replace full stack</li> </ol>
Sensor Mem Error	One or more configuration variables in the sensor memory do not pass checksum test.	<ol style="list-style-type: none"> <li>1. Cycle power off and on</li> <li>2. Replace sensor</li> <li>3. Replace upper stack</li> <li>4. Replace full stack</li> </ol>
Sensor Cfg Error	One or more sensor configuration variables are outside of expected range.	<ol style="list-style-type: none"> <li>1. Cycle power off and on</li> <li>2. Replace sensor</li> <li>3. Replace upper stack</li> <li>4. Replace full stack</li> </ol>
Gas Gen Removed	The generator cannot be detected.	<ol style="list-style-type: none"> <li>1. Install generator</li> <li>2. Cycle power off and on</li> <li>3. Replace generator</li> <li>4. Replace sensor</li> <li>5. Replace upper stack</li> <li>6. Replace full stack</li> </ol>
Gen Incompatible	The gas generator is not compatible with the installed sensor type or range.	<ol style="list-style-type: none"> <li>1. Replace generator</li> <li>2. Change sensor range</li> <li>3. Replace sensor</li> <li>4. Replace upper stack</li> <li>5. Replace full stack</li> </ol>
System Mem Error	A checksum error has been detected in the system setup memory.	<ol style="list-style-type: none"> <li>1. Cycle power off and on</li> <li>2. Replace upper stack</li> <li>3. Replace full stack</li> </ol>
Alarm Mem Error	A checksum error has been detected in the alarm setup memory.	<ol style="list-style-type: none"> <li>1. Cycle power off and on</li> <li>2. Replace upper stack</li> <li>3. Replace full stack</li> </ol>
Operator Mem Err	A checksum error has been detected in the operator setup memory.	<ol style="list-style-type: none"> <li>1. Cycle power off and on</li> <li>2. Replace upper stack</li> <li>3. Replace full stack</li> </ol>
HART Mem Error	A checksum error has been detected in the HART setup memory.	<ol style="list-style-type: none"> <li>1. Cycle power off and on</li> <li>2. Replace upper stack</li> <li>3. Replace full stack</li> </ol>
Autotest Failed	Auto-test failed after 3 attempts.	<ol style="list-style-type: none"> <li>1. Replace generator</li> <li>2. Replace sensor</li> <li>3. Replace upper stack</li> <li>4. Replace full stack</li> </ol>
Use 3-Wire Power	Relay option jumper is installed, but transmitter is powered from loop (2-wire).	<ol style="list-style-type: none"> <li>1. If relays are not used, remove jumper.</li> <li>2. Re-wire transmitter in 3- or 4-wire mode.</li> <li>3. Replace upper stack</li> <li>4. Replace full stack</li> </ol>
Stack Overflow	An internal error occurred in the CPU.	<ol style="list-style-type: none"> <li>1. Cycle power off and on</li> <li>2. Replace upper stack</li> <li>3. Replace the full stack</li> </ol>
Factory Cal Err	An error has been detected in the factory calibration memory.	<ol style="list-style-type: none"> <li>1. Cycle power off and on</li> <li>2. Replace upper stack</li> </ol>

UNCALIBRATED	This appears on the Main Display, in place of the gas name, when the transmitter has not been factory calibrated, or the calibration memory has become corrupted.	<ol style="list-style-type: none"> <li>1. Cycle power off and on</li> <li>2. Replace upper stack</li> <li>3. Replace the full stack</li> </ol>
Fault Alarm Test	This is not a real fault. This occurs when the fault alarm is being tested locally, or remotely.	

**Alarm Relays**

The D12 transmitter provides three optional SPDT mechanical relays rated for 5 amps, non-inductive loads at 250VAC. These relays are suitable for switching small loads, such as horns and warning lights, but should not be used to switch motors or other high current, inductive loads.

Each relay is assigned to one of the four alarms, and may be programmed as normally energized (failsafe), or normally de-energized. A normally energized relay will have electrical continuity between its C and NO contacts (while the transmitter is powered on), and will be open between its C and NC contacts. Conversely, a normally de-energized relay will have continuity between its C and NC contacts, and will be open between its C and NO contacts. Figure 51 illustrates the function of alarm and relay variables on the operation of the relays.

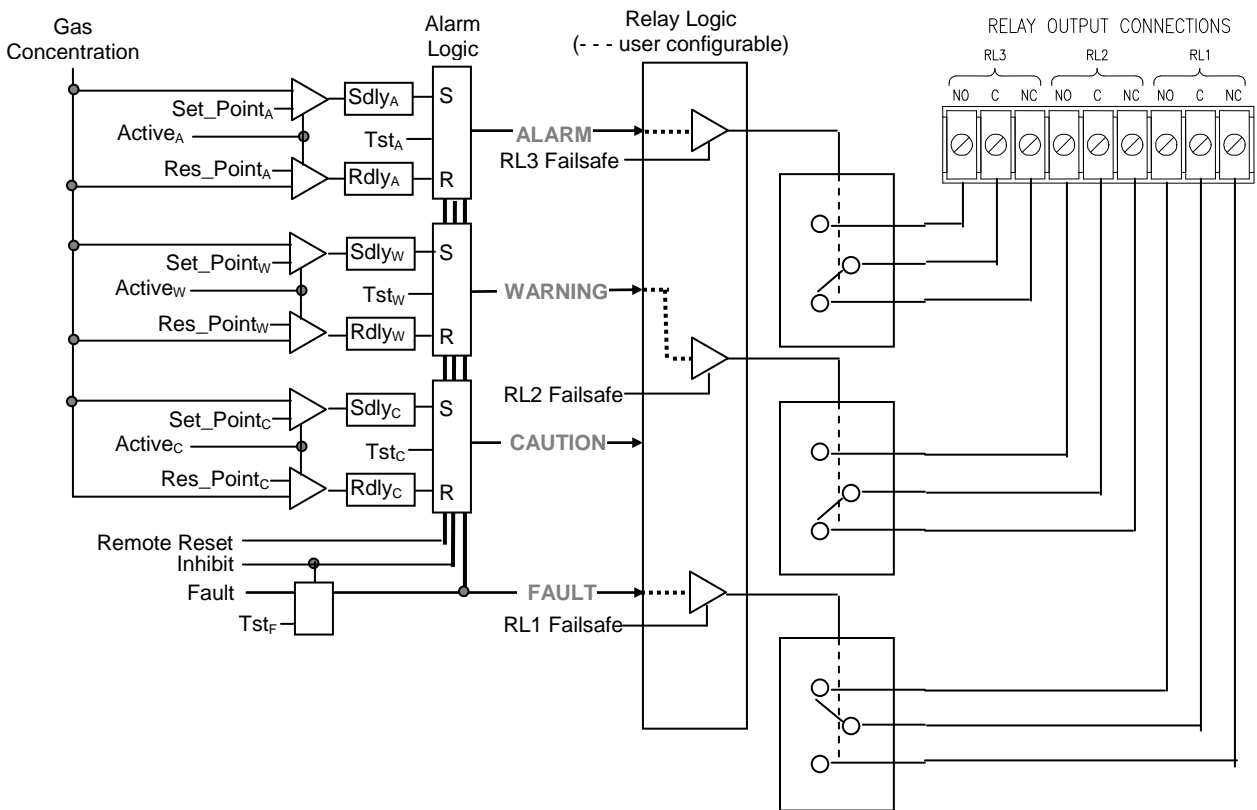


Figure 51 Alarm relay schematic (default – no alarms active)

**Relays Setup**

Relays are configured in the Relays Setup page, which is accessed by selecting Menu, Setup, Alarms, and (Relays) Setup. Select the alarm trigger source (Alarm,Warning,Caution,Fault), and failsafe property (Normal-On or Normal-Off).

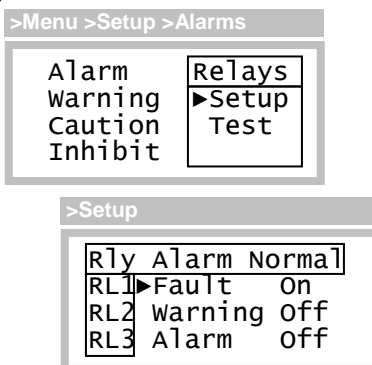



Figure 52. Relay setup page (example)

**Testing Alarm Relays**

Relays are tested by triggering (simulating) their assigned alarms on the Relay Test page. To trigger an alarm, scroll the “Select” variable up and down until an X appears below the letter representing the alarm. Save the selection by touching the Enter key, and move the cursor to the function labeled “Start”.

	<p><b>Caution: devices wired to the relays may activate when “Start” is selected. Be sure to inform proper personnel before performing the test.</b></p>	
--	--	---

When ready, select “Start” to begin the test. “Start” will be replaced by, “Any key to Stop”, and touching any key will end the test.

**Relay Test Page**

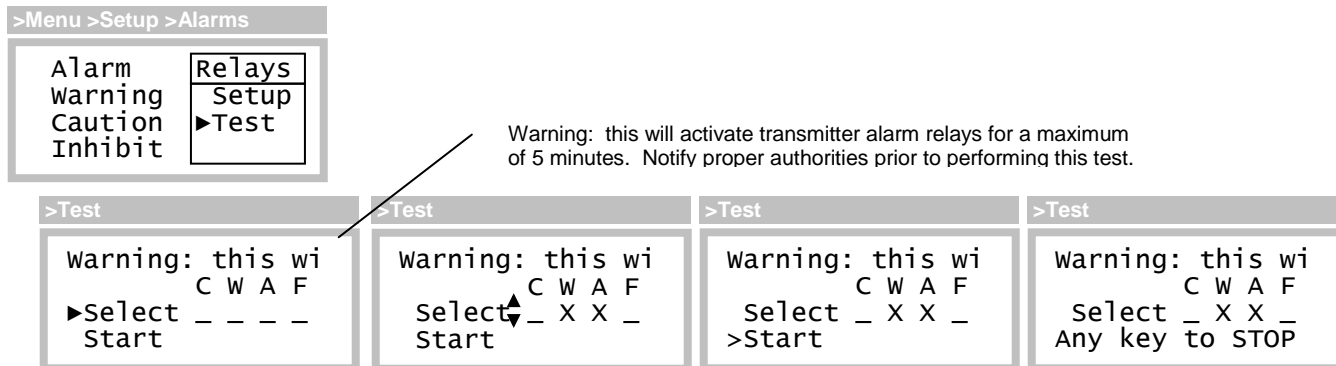


Figure 53. Relay test page example

**Inhibiting Alarms**

Alarms should be inhibited to prevent false activation, such as done just prior to “bump-testing” the sensor.

The most convenient method for temporarily inhibiting alarms is from the Main Display. Hold the magnet over the ESC key for 2 seconds, and remove it. This will toggle the alarm inhibit mode on for 15 minutes, which will clear and inhibit alarms, hold the current loop at 4mA (17.4mA for Oxygen sensors), and cause the “I” and “L” status indicators to appear. Repeating the procedure toggles alarm inhibit mode off immediately, restores the current loop to normal operation, and clears the “I” and “L” status indicators. Both the inhibit duration, and loop output, are programmable and may be accessed on the Alarm Inhibit setup page (see below).

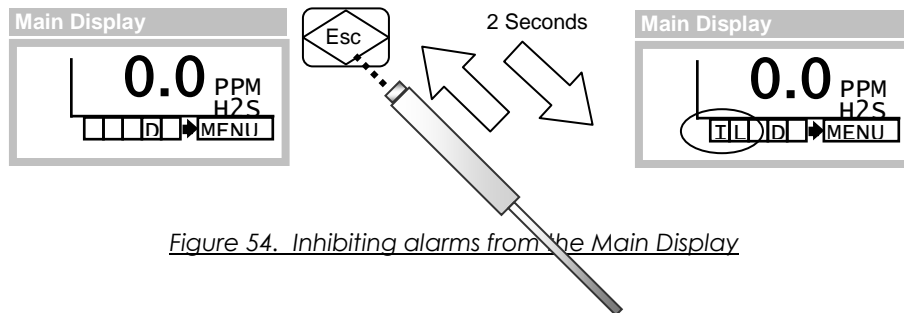


Figure 54. Inhibiting alarms from the Main Display

**Alarm Inhibit Setup**

Variables and controls associated with the alarm inhibit mode are accessible on the Alarm Inhibit setup page (below), and are detailed in Table 11.

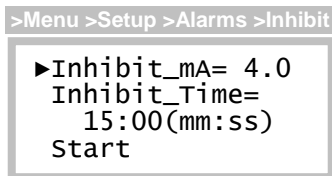


Figure 55. Alarm inhibit setup page

**Table 11. Alarm inhibit variables and controls**

Variables	Description
Inhibit_mA	The Inhibit_mA variable is output on the current loop during alarm inhibit. It ranges from 3.5 to 22.0 mA (this is the same value that appears on the 4-20mA Setup page).
Inhibit_Time	Alarm Inhibit Off The Inhibit_Time variable is the duration of the alarm inhibit mode, and is programmable from 00:00 to 99:59 (mm:ss).
Start (Stop)	Alarm Inhibit On: The variable counts down from its programmed duration. Selecting it temporarily freezes the count and permits it to be scrolled up and down. If Enter is touched, counting resumes from the new value. If Esc is touched, counting resumes at the previous value. These changes are temporary, and are not saved as the programmed value. The Start function turns on alarm inhibit, which clears and inhibits alarms, holds the current loop at 4mA (17.4mA for Oxygen sensors), causes the “I” and “L” status indicators to appear, and starts the Inhibit_Time variable to begin ticking down. The label then changes to “Stop”, and selecting it again turns off alarm inhibit, restore the current loop to normal operation, clears the “I” and “L” status indicators, and restores the Inhibit_Time variable to its programmed value.



## 4-20mA Output

The 4-20mA output normally sources positive current to a receiver, proportional to the main reading. The output is 4 mA at zero, and rises to 20mA at the full-scale range (see “Range” variable in Sensor Setup Page), and may go as high as 24mA (125% Range) in case of gas flooding. Since the reading is blanked below zero, the output should never go below 4mA in the course of normal operation.

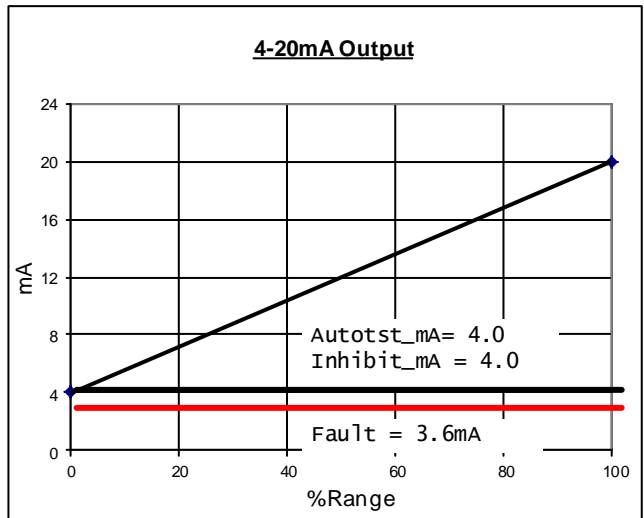


Figure 56. Current loop output plot

### Output Overrides

By default, the output is forced to 3.6mA to signal fault alarms to the receiver. During alarm inhibit and auto-test modes, the loop is fixed at 4.0mA (17.4mA for Oxygen sensors) to prevent false alarms at the receiver. These are the default values, which may be changed on the 4-20mA Setup page shown in Figure 57.

### 4-20mA Setup

Variables listed on this page are described in

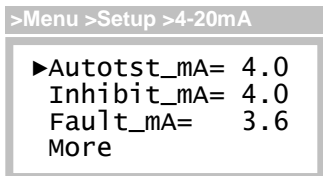


Figure 57. 4-20mA setup page

Table 12. 4-20mA variables

Variables	Description
Autotst_mA	The Autotst_mA variable is the mA value output during Auto-test mode – to prevent false alarms at the receiver. The default is 4.0mA (17.4mA for Oxygen sensors), and is limited between 3.5 <sup>9</sup> and 22.0 mA.
Inhibit_mA	The Inhibit_mA variable is the mA value output during the Alarm Inhibit mode – to prevent false alarms at the receiver. The default is 4.0mA (17.4mA for Oxygen sensors), and is limited between 3.5 <sup>2</sup> and 22.0 mA.
Fault_mA	The Fault_mA variable is the mA value output during Fault alarms. The default is 3.6mA, and is limited between 3.5mA <sup>2</sup> and 22.0mA. The value should be recognized as a fault by the loop receiver.
More	More is a link to the 4-20mA control page.

<sup>9</sup> Since the transmitter may be powered from the current loop, 3.5mA is the lower limit for all settings.

**4-20mA Control**

The 4-20mA Control page permits adjustment of the analog output, and provides a method for manually forcing it to a fixed value to overcome leakages, verify linearity, or test receiver alarms.

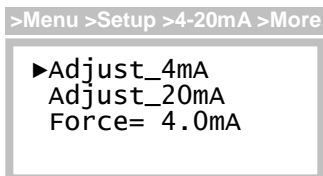


Figure 58. 4-20mA control page

Table 13. 4-20mA control variables

Variables	Description
Adjust_4mA	The Adjust_4mA variable is used to adjust the 4mA level on the 4-20mA output.
Adjust_20mA	The Adjust_20mA variable is used to adjust the 20mA level on the 4-20mA output.
Force	The Force variable is used to force the 4-20mA output to a fixed value. While the variable is not selected, the displayed value is updated to show the real-time output level. The loop is fixed at the instant the variable is selected, and the value may be scrolled up and down as desired, between 3.5 and 22.0 mA.

**Loop Adjustment**

Loop adjustment consists of adjusting the 4 and 20 mA levels (order does not matter) by scrolling the corresponding DAC<sup>10</sup> value. This may be accomplished by reading a current meter connected across the mA(+) and mA(-) terminals of TB1 on the transmitter’s Power Supply Board, or reading the display of a calibrated, current loop receiver.

**Warning:**  
**Disable current loop receiver alarms before proceeding.**

Select Adjust\_4mA or Adjust\_20mA and observe the following displays. Select DAC\_Value and scroll the displayed value up and down to achieve the desired output level, and touch Enter to save, or Esc to exit without saving.

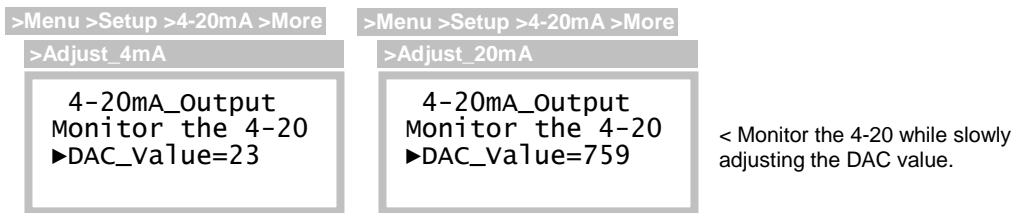


Figure 59. Loop adjustment pages  
 (DAC values shown may not match)

<sup>10</sup> Digital-to-Analog-Converter value ranging 0 to 1023 (10-bits). Adjustment is performed at factory, values will vary from transmitter to transmitter. This range may increase on future versions.

**Data-log**

The D12 transmitter data log records gas concentrations in one of 12 discrete intervals ranging from 1 to 60 minutes, providing data from 11 to 474 days. Table 14 details sampling intervals and the associated metrics.

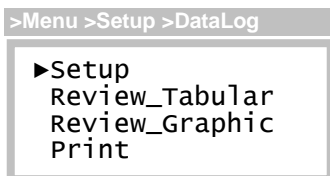
**Table 14. Data-log sampling metrics**

Sampling (Minutes)	Samples/Day	Days
1	1440	11
2	720	22
3	480	32
4	360	43
5	288	54
6	240	64
10	144	104
12	120	124
15	96	152
20	72	196
30	48	278
60	24	474

Gas concentration (see Main Reading) is recorded as an instantaneous value, and is not averaged or filtered in any way. When the data log memory is filled, new records will overwrite older ones.

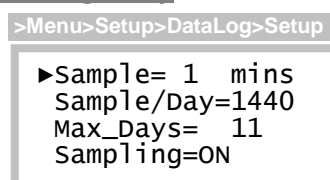
**Data-log Access**

The Data Log Access page provides links to the setup, review, and print pages, which are described below.



*Figure 60. Data log access page*

**Data-log Setup**



Variables on the Data Log Setup page select one of the 12 discrete sampling intervals listed in Table 14, and control starting, stopping and clearing of the data-log.

*Figure 61. Data log setup page*

**Table 15. Data-log setup variables**

Variables	Description
Sample, Sample/Day, Max_Days	These variables are used to select one of the 12 sampling intervals listed in Table 14. Each variable functions identically, and scrolling any one of the variables updates the other two. Warning: changing the sampling interval will clear the data-log.
Sampling	The Sampling variable is used to control data recording, which starts when set to ON, and stops when set to OFF. The data-log is cleared when set to CLR, after which the control is returned to its previous value (ON or OFF).

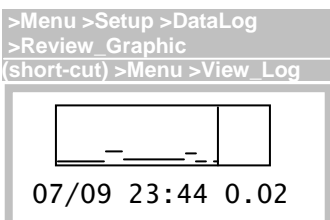
Data may be displayed on the LCD graphically, or in a tabular report format. Data may also be output to a terminal, terminal program, or serial printer. Dates formats are configurable as MM/DD or DDMMM (see System Clock), and samples are displayed in the concentration units shown on the Main Display Page.

In place of numeric data samples, a report may display special text to indicate samples were unavailable, not yet sampled, or some condition prevented sampling.

**Table 16. Data log special text**

Special Text	Description
----	Sample unavailable (transmitter powered off, or sample not yet recorded)
FFFF	Fault alarm active at time of sample
TEST	Auto-test active at time of sample (if Log_Data=NO, see Auto-test Setup Options)
****	Data is corrupted, or unreliable

**Data-log Graphic Report**

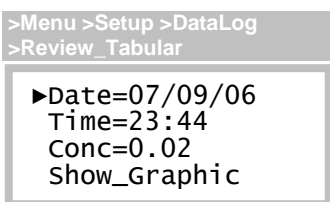


The Graphic Report page plots samples on the LCD from left to right, where older samples are on the left, and newer samples are to the right. Touching the Up and Down keys moves the vertical cursor line right and left, respectively, while updating the date, time, and sample data text on the bottom line.

*Figure 62. Data log graphic report page*

Upon entry, the cursor is parked at the most recent sample. Moving the cursor left displays the date, time, and values of earlier samples (moving it right will show “- - -”, not sampled yet). Touching the Enter key switches to the Tabular Report page, shown below, and touching the Esc key returns to the Menu page. Data is not plotted while viewing the page.

**Data-log Tabular Report**



The Tabular Report page displays samples in the text field labeled “Conc”(gas concentration) and provides direct access to data by scrolling to an exact date and time.

*Figure 63. Data log tabular report page*

Upon entry, the Date, Time, and Conc variables are set to the most recent sample. Scrolling the Time variable up increments it by the sampling interval, and causes the next, successive sample to be displayed at Conc. Scrolling Time down displays the previous sample time, and value. Scrolling Time up and down will cause a date rollover at midnight. Scrolling the Date variable up increments it by one day, while holding the Time variable fixed. This is an expedient method to access specific data, and is useful for examining samples recorded at the time of day.

Once the date and time are set, select the Show\_Graphic link to switch to the Graphic Report page. Data is not updated while viewing the page.

**Data-log Printout**

Data-log reports may be sent to serial printer, terminal, or terminal emulation program, such as Microsoft Hyperterminal®. See Appendix A. details on how to setup and print reports.

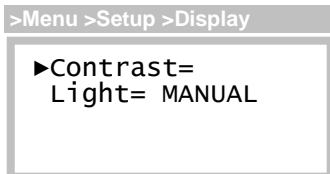
Date	Time	S0	S1	S2	S3
07/09/06	22:40	0.01	0.00	0.02	0.01
07/09/06	22:44	-0.0	0.00	0.00	-0.0
07/09/06	22:48	0.01	TEST	TEST	TEST
07/09/06	22:52	TEST	TEST	TEST	TEST
07/09/06	22:56	TEST	TEST	TEST	TEST
07/09/06	23:00	0.07	0.06	0.07	0.06
07/09/06	23:04	0.06	0.05	0.06	0.06
07/09/06	23:08	0.05	0.05	0.04	0.05
07/09/06	23:12	0.06	0.05	0.05	0.04
07/09/06	23:16	0.01	0.01	0.01	0.00
07/09/06	23:20	0.00	0.00	0.00	-0.1
07/09/06	23:24	-0.0	0.00	0.00	0.00
07/09/06	23:28	----	----	----	----
07/09/06	23:32	----	----	----	----
07/09/06	23:36	----	----	----	----
07/09/06	23:40	FFFF	FFFF	0.02	0.02

Figure 64. Data-log printout (example)

## Display

The D12 Transmitter features a backlit, 96w x 32h graphics LCD. Note: backlighting operates in 3- or 4-wire mode only (see External Connections).

### Display Setup



Variables on the Display Setup page are used to control the display contrast, and manage the backlight.

**Table 17. Display page variables**

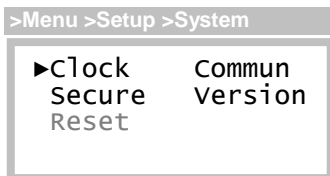
<b>Variables</b>	<b>Description</b>
Contrast	The Contrast variable is used to adjust the LCD contrast. Scroll the variable up to increase contrast (darker text), or down to decrease it (lighter text). The default value is 68%, and is adjustable between 0 and 100%.
Light	The Light variable is used to control when the LCD backlighting is turned on and off.  <b>Setting Backlight is ...</b>  MANUAL On when any key is touched Off when no key touched for 5 minutes  AUTO On when any key is touched or alarm is active Off when no key touched for 5 minutes, and no alarms active  NEVER_ON Off permanently  ALWAYS_ON On permanently (not recommended)

---

## System

System pages are used to access and configure the internal clock, security, reset functions, communication protocols, and version information.

### System Access

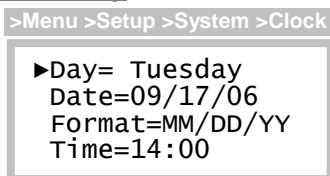


The System Access page provides links to the clock, security, communications, and version pages (the Reset link has been removed on transmitters beginning with version 2.23).

*Figure 65. System access page*

## Real-time Clock

### Clock Setup



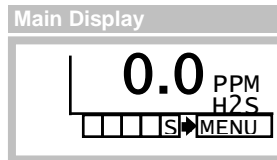
The Clock Setup page is used to set the transmitters real-time clock, which is referenced during sensor calibrations and data logging, and used to trigger Auto-test.

*Figure 66. Clock setup page*

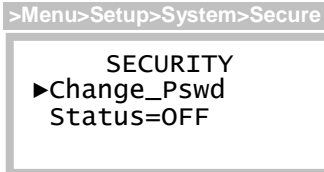
Variables	Description
Day	Monday, Tuesday, Wednesday, Thursday, Friday, Saturday, and Sunday
Date	Used to configure the month, date, and year, in the format specified by the Format variable (below). Built-in support for leap year.
Format	Selects the date format: MM/DD/YY, example: 09/19/06 DDMMYY, example: 09Sep06
Time	24-hour format, 00:00 to 23:59

**Security**

The transmitter protects its configuration using a 4-digit, numeric password, from 0000 to 9999. When security is active, the “S” status indicator appears on the Main Display, variables may be read, but not modified, and functions will not execute, including the sensor verification function during startup review.



**Security Control**

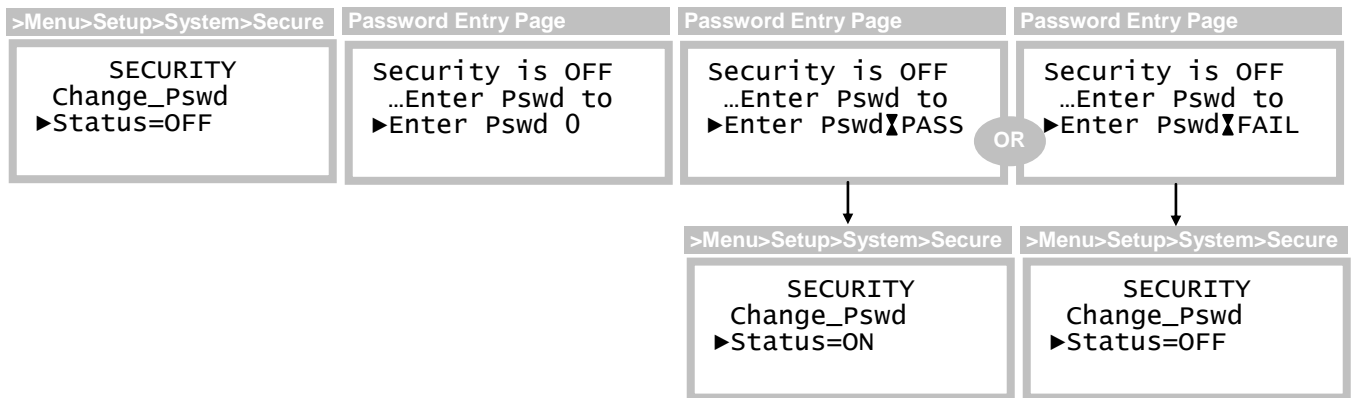


Security is off by default, and may be toggled on and off by entering the 4-digit password.

*Figure 67. Security control page*

**Activating Security**

Select the Status variable on the Security Control page, which doubles as a link to the Password Entry page. When the page appears, select Enter Pswd, scroll to the password value (0 by default), and touch Enter. If successful, “PASS” appears briefly and you are returned to the Security Control page where the Status variable is set to ON. If not successful, “FAIL” appears and Status remains OFF.



*Figure 68. Activating security*



**Deactivating Security**

The procedure to deactivate security is identical to that used for activating it, and if successful, the transmitter presents an option to automatically reactivate it after a timed interval.

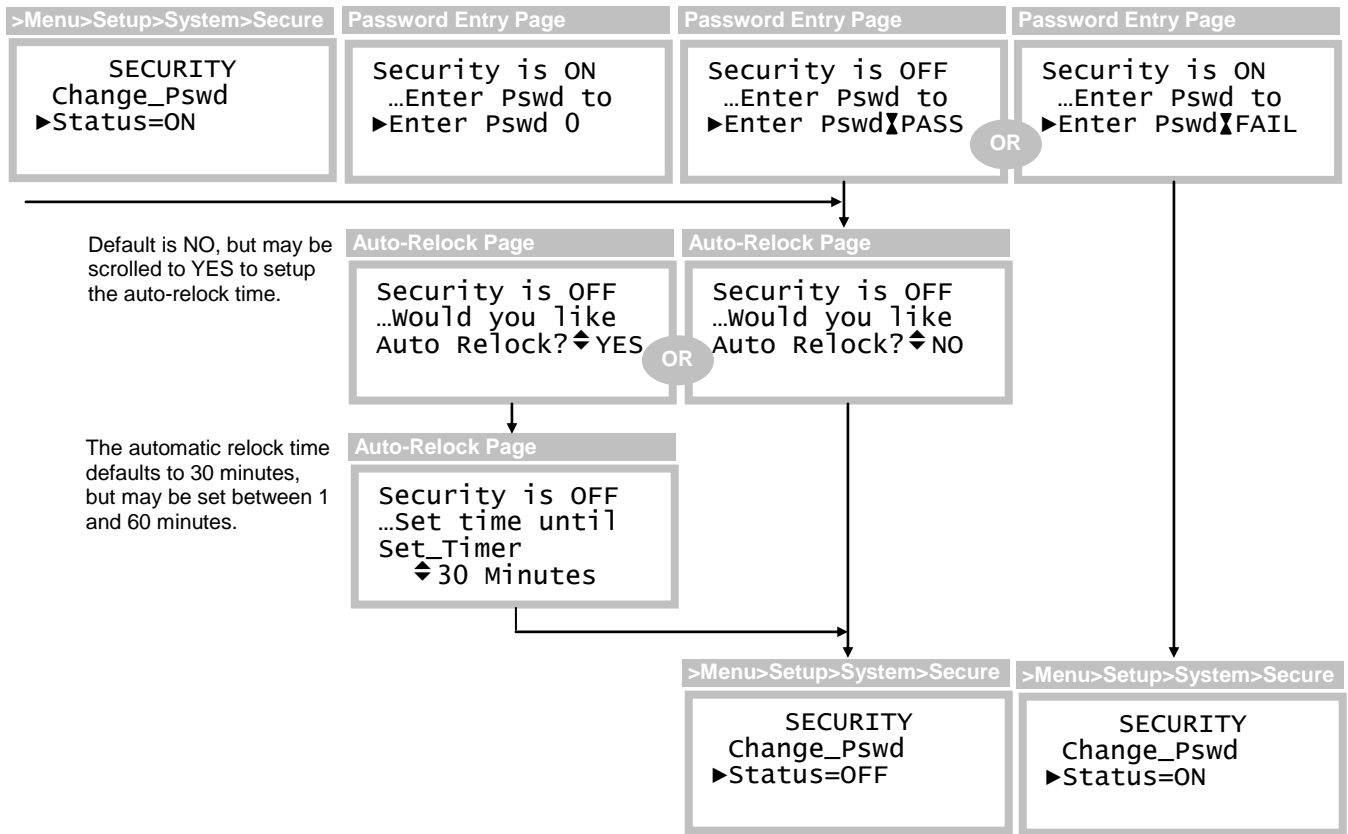


Figure 69. Deactivating security

**Changing the Password**

The security password is changed by selecting Change\_Pswd from the Security Control page. Start by entering the old password, then enter the new one, and repeat it.

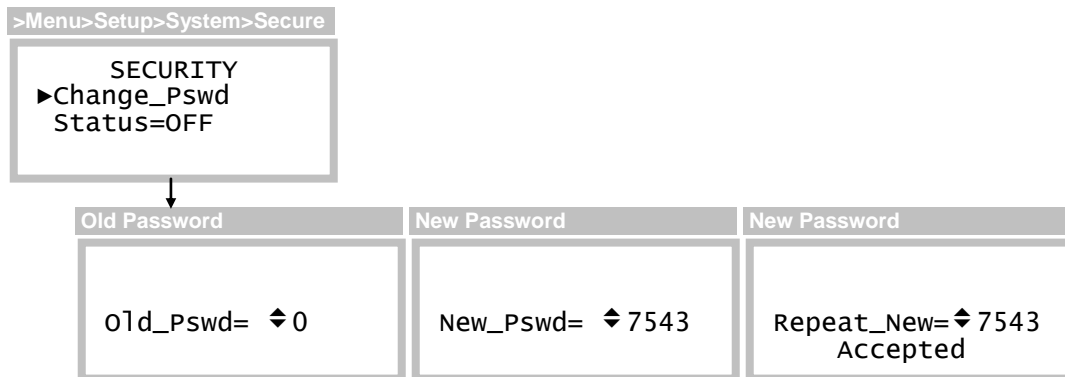
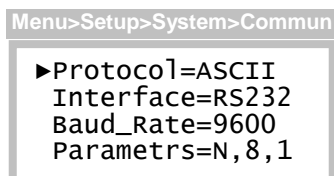


Figure 70. Changing the password

## Communications

The D12 Transmitter supports ASCII, HART 5, and Modbus communications. ASCII is the default protocol if the HART or Modbus option is not ordered.

### Communication Setup



Communication Setup page variables are used to configure the protocol and settings of the physical communication interface. The protocol selection is performed at the factory, and may not be changed. Settings for the physical communication interface may be changed for ASCII and Modbus protocols, however, they are restricted for the HART protocol).

Figure 71. Communication setup page

Table 18. Communication setup variables

Variables	Description
Protocol	<p>The Protocol variable identifies the installed protocol driver:</p> <ul style="list-style-type: none"> <li>• None</li> <li>• ASCII (default)</li> <li>• Modbus (option)</li> <li>• HART (option)</li> </ul>
Interface	<p>The Interface variable selects the physical communication interface that the transmitter will control during transmit and receive functions:</p> <ul style="list-style-type: none"> <li>• RS232 (available for ASCII or Modbus, not for HART)</li> <li>• RS485 (available for ASCII or Modbus, not for HART)</li> <li>• MODEM (available for HART only)</li> </ul> <p>The transmitter must be wired in accordance with this selection (see External Connections).</p>
Baud_Rate	<p>The Baud_Rate variable is used to configure the baud rate of the transmitter's UART, and may be set to: 300,600,1200,2400,4800,9600,14.4k, or 28.8k</p> <p>The value is fixed at 1200 for HART protocol, and defaults to 9600 for Modbus and ASCII.</p>
Paramtrs	<p>The Paramtrs variable is used to configure parity, the number of data bits, and number of stop bits of the transmitter's UART:</p> <ul style="list-style-type: none"> <li>• N,8,1 ...no parity, 8 data bits, 1 stop bits</li> <li>• N,8,2 ...no parity, 8 data bits, 2 stop bits</li> <li>• E,8,1 ...even parity, 8 data bits, 1 stop bit</li> <li>• O,8,1 ...odd parity, 8 data bits, 1 stop bit</li> </ul> <p>The value is fixed at O,8,1 for HART protocol, and defaults to N,8,1 for Modbus and ASCII.</p>

Protocol specific settings are configured on separate pages that are accessible from links on the Setup page, and are discussed below.

**ASCII**

ASCII is used for sending the data log to a serial printer, terminal, or terminal program, using RS232 (RS485 might be used under certain conditions). Handshaking is XON/XOFF only, and the Communication Setup page may be used to configure the interface, baud rate, and communication variables. See Computer RS232 for connection details. There are no additional pages for protocol variables.

**HART**

HART is a master/slave protocol that supports 1 or 2 masters, and up to 15 slave devices. Devices communicate digitally at an effective rate of 1200 baud by modulating the 4-20mA loop. Modulation is performed by a modem that conforms to the BELL 202 standard, which uses FSK (frequency shift keying), where 1200Hz represents a logic 1, and 2200Hz represents logic 0, and does not affect the loop's DC level. Connections are typically point-to-point, which enables bi-directional digital communication and preserves the transmitter's analog output signal. Up to 15 devices may be connected in a multi-drop configuration for digital communication, but requires each device to fix its output at 4mA. See HART Transmitter connection examples in External Connections, or consult the HART Foundation (www.hartcomm.org) for details on how to connect a HART transmitter.

When the HART protocol driver is installed, a link to the HART Setup page appears on the main Setup page.

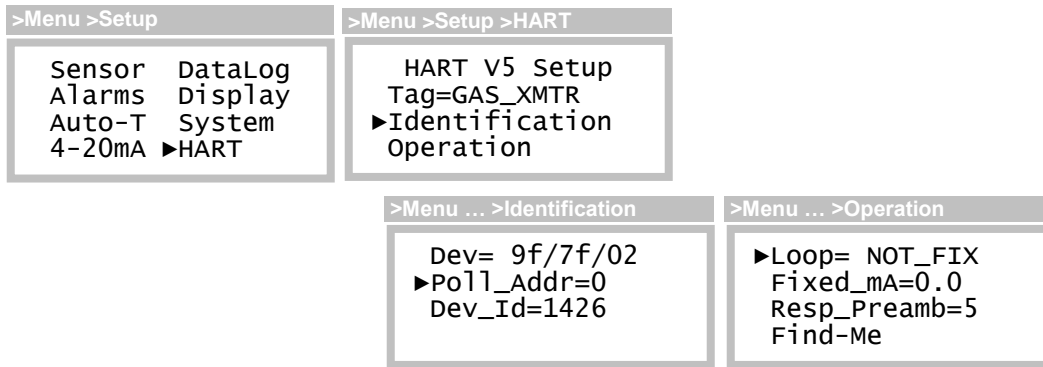


Figure 72. Hart setup pages

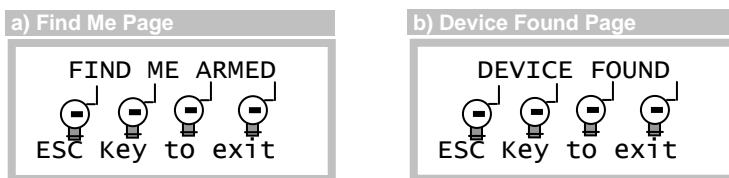
Table 19. HART setup variables

Variables	Description
Tag	The Tag variable can be used as a unique identifier for communicating to the transmitter. The variable is read only at the operator interface, but may be modified using HART network management commands.
Dev	The Dev variable displays read-only device information used in long-frame address commands, and by devices capable of utilizing the transmitter's DDL (device description language) file. The format of the information is, MFG_ID/DEV/REV. The MFG_ID is 9f, and identifies Analytical Technology, Inc as the manufacturer. DEV is 7f, and identifies the device as a D12 transmitter. REV is the revision level of the transmitter, currently set at 2 (may increment in the future).
Poll_Addr	The Poll_Addr variable sets the polling address of the transmitter. The default value is 0, which allows the transmitter to communicate digitally, while preserving the

	function of the 4-20mA output. The value may be set from 1 to 15, which fixes the output at 4mA, and disables analog signaling.
Dev_Id	The Dev_Id variable is used to form a unique identifier in the HART long frame address. This value is set at the factory, and appears on a label attached to the transmitter. Changing this setting is not recommended.
Loop	The Loop variable specifies the operation of the 4-20mA output. When the HART polling address is 0, the value is NOT_FIX and loop functions as normal. When the address is set to 1 or higher, the value is FIXED and the output is fixed at 4mA. The ability to alter this behavior is reserved for future use, and changing this setting is not recommended.
Fixed_mA	The Fixed_mA variable provides direct access the associated HART network management variable. The value is adjustable only when the Loop variable is FIXED, and may be adjusted between 3.5 and 22 mA.
Resp_Preamb	The Resp_Pream variable provides direct access to the associated HART network management variable, which determines the number of preamble characters (FF hex) transmitted at the beginning of each message. The default value is 5, and may be set from 3 to 20. Changing this setting is not recommended.
Find-Me	The Find-Me function places the transmitter into the Find-Me mode, where a master device can issue a command to positively identify the physical location of the transmitter.

---

Selecting the Find-Me function presents the special page that remains until the master device issues a “Find-Me” command to the transmitter, at which point the display changes to the “Device Found” page.

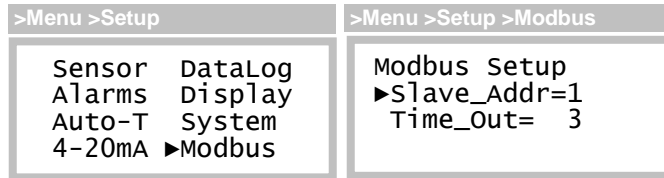


*Figure 73. Hart a) Find-me and b) Device found pages*

**Modbus**

Modbus is a master/slave protocol that supports a single master, and up to 247 slave devices on a common bus. The RS485 interface physically limits this number to 32 (1 master, 31 slaves), and RS232 restricts communication to a master and a single slave. The Communication Setup page may be used to configure the interface, baud rate, and communication variables. See Modbus RS485 Multi-drop and Computer RS232 for connection details.

When the Modbus protocol driver is installed, a link to the Modbus Setup page appears on the main Setup page.



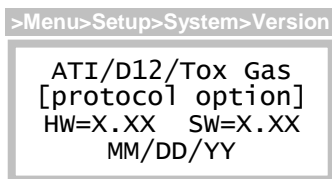
*Figure 74. Modbus setup page*

**Table 20. Modbus setup variables**

Variables	Description
Slave_Addr	The Slave_Addr variable is the transmitter's slave address, which may set from 1 (default) to 247.
Time_Out	The Time_Out variable belongs to the data-link layer of the protocol and defines the number of 1.5 character timeouts used to frame messages. This variable is reserved for future use and changing it is not recommended.

**Transmitter Version**

The Transmitter Version page displays transmitter information:



- Line 1: model and version name
- Line 2: protocol option (if any)
- Line 3: hardware and software version numbers
- Line 4: software build date

*Figure 75. Transmitter version page*

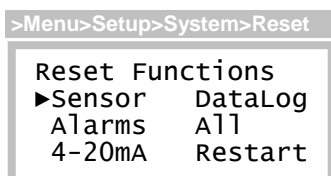
### Restart

The Restart function will cause the transmitter to start up, just as it does during a power-on-reset. This function replaces the Reset page beginning with version 2.23 of the D12 Toxic Gas Transmitter.

### Resets

Note: the Reset page has been removed on software versions 2.23, and higher.

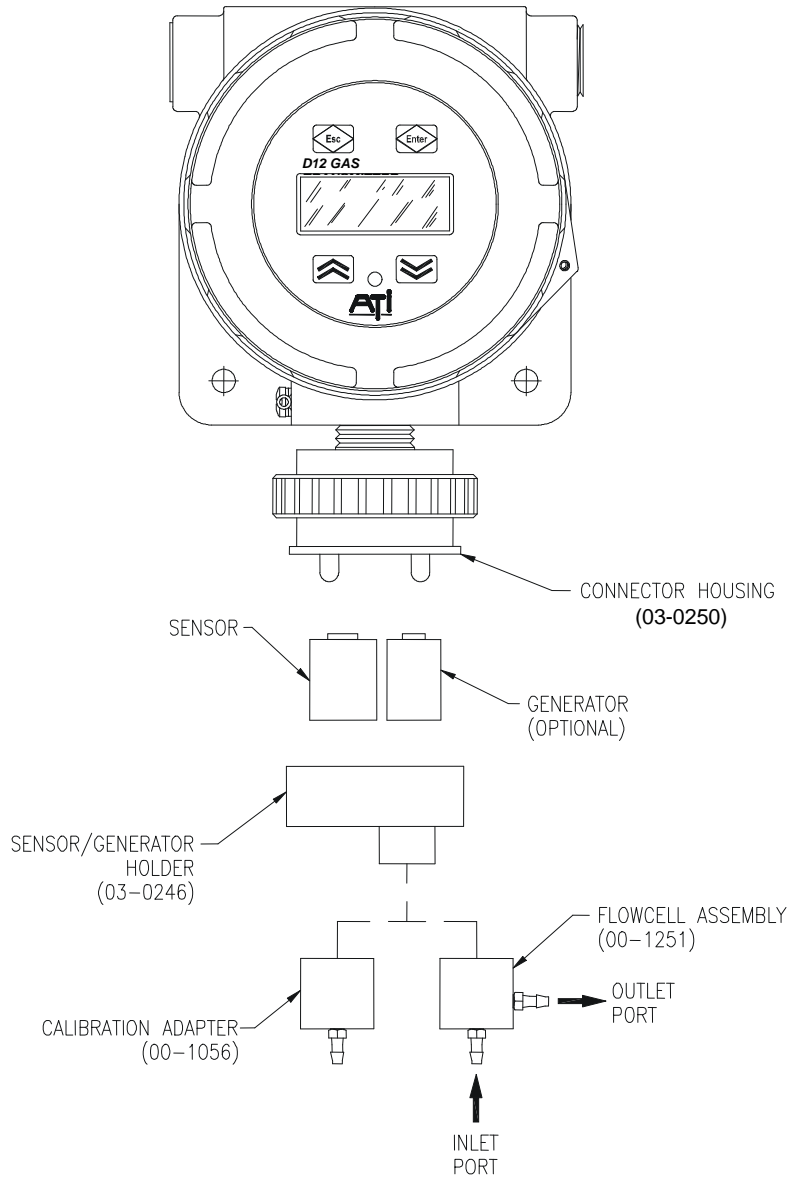
The Reset page provides functions for resetting configuration memories, and restarting the transmitter, which may prove useful for correcting specific faults. These functions should **not be used** unless they are specified in troubleshooting procedures, or directed by authorized factory personnel.



**Table 21. Reset functions (do not use except for troubleshooting).**

Function	Description
Sensor	Resets zero and span calibration, restarts transmitter. <u>Sensor must be completely recalibrated.</u> On LEL transmitters, calibration and Auto-test history are cleared.
Alarms	Resets alarm set/reset points, options, delays, and inhibit_mA, restarts transmitter.
4-20mA	Resets 4-20mA calibration, loop must be recalibrated, restarts transmitter.
DataLog	Clears the data log history, restarts transmitter.
All	Resets entire transmitter to factory defaults, excluding sensor, restarts transmitter. <u>Requires full transmitter setup.</u>
Restart	Restarts transmitter, only.

# SPARE PARTS



**Table 22. Transmitter**

<b>Part No.</b>	<b>Description</b>
03-0275	PCB Stack Assembly w/o Relays
03-0263	PCB Stack Assembly with Relays
03-0279	Remote PCB Stack Assembly w/o Relays
03-0280	Remote PCB Stack Assembly with Relays
03-0250	Connector Housing Assembly
03-0307	Connector Housing Assembly w/Heater
03-0246	Sensor/Generator holder
31-0162	Remote Interconnect Cable (25' Standard)
03-0276	PCB Stack Assembly w/Rlys
80-0066	Transmitter explosion-proof housing
46-0003	Sensor gasket (non auto-test version)
46-0002	Sensor/generator gasket (auto-test version)
00-1056	Calibration adapter
00-1251	Flowcell Assembly
29-0007	Battery
55-0004	Magnetic Screwdriver

**Table 23. H10 sensor modules**

<b>Part No.</b>	<b>Description</b>
00-1000	Bromine, 0-1/5 PPM (2 PPM Standard)
00-1001	Bromine, 0-5/200 (20 PPM Standard)
00-1002	Chlorine, 0-1/5 PPM (2 PPM Standard)
00-1003	Chlorine, 0-5/200 (20 PPM Standard)
00-1004	Chlorine dioxide, 0-1/5 PPM (2 PPM Standard)
00-1005	Chlorine dioxide, 0-5/200 (20 PPM Standard)
00-1006	Fluorine, 0-1/5 PPM (2 PPM Standard)
00-1007	Fluorine, 0-5/200 (20 PPM Standard)
00-1008	Ozone, 0-1/5 PPM (2 PPM Standard)
00-1009	Ozone, 0-5/200 PPM (20 PPM Standard)
00-1010	Ammonia, 0-50/500 PPM (200 PPM Standard)
00-1011	Ammonia, 0-500/2000 PPM (1000 PPM Standard)
00-1012	Carbon monoxide, 0-50/1000 PPM (200 PPM Standard)
00-1013	Hydrogen, 0-1/10% (4% Standard)
00-1014	Oxygen, 0-5/25% (25% Standard)
00-1015	Phosgene, 0-1/5 PPM (2 PPM Standard)
00-1016	Phosgene, 0-5/100 PPM (100 PPM Standard)
00-1017	Hydrogen chloride, 0-10/200 PPM (20 PPM Standard)
00-1018	Hydrogen cyanide, 0-10/200 PPM (20 PPM Standard)
00-1019	Hydrogen fluoride, 0-10/200 PPM (20 PPM Standard)
00-1020	Hydrogen sulfide, 0-10/200 PPM (50 PPM Standard)
00-1021	Nitric oxide, 0-50/500 PPM (200 PPM Standard)
00-1022	Nitrogen dioxide, 0-10/200 PPM (20 PPM Standard)
00-1023	Sulfur dioxide, 0-10/500 PPM (20 PPM Standard)
00-1024	Arsine, 0-500/2000 PPB (1000 PPB Standard)
00-1025	Arsine, 0-10/200 PPM (10 PPM Standard)
00-1026	Diborane, 0-500/2000 PPB (1000 PPB Standard)
00-1027	Diborane, 0-10/200 PPM (10 PPM Standard)
00-1028	Germane, 0-500/2000 PPB (1000 PPB Standard)
00-1029	Germane, 0-10/200 PPM (10 PPM Standard)
00-1030	Hydrogen selenide, 0-500/2000 PPB (1000 PPB Standard)
00-1031	Hydrogen selenide, 0-10/200 PPM (10 PPM Standard)
00-1032	Phosphine, 0-500/2000 PPB (1000 PPB Standard)



---

00-1033	Phosphine, 0-10/200 PPM (10 PPM Standard)
00-1034	Phosphine, 0-200/2000 PPM (1000 PPM Standard)
00-1035	Silane, 0-10/200 PPM (10 PPM Standard)
00-1036	Iodine, 0-1/5 PPM (2 PPM Standard)
00-1037	Iodine, 0-5/200 PPM (20 PPM Standard)
00-1038	Acid gases, 0-10/200 PPM (20 PPM Standard)
00-1039	Ethylene oxide, 0-20/200 PPM (20 PPM Standard)
00-1040	Formaldehyde, 0-20/200 PPM (20 PPM Standard)
00-1041	Hydrogen, 0-500/2000 PPM (2000 PPM Standard)
00-1042	Hydrogen peroxide, 0-10/100 PPM (20 PPM Standard)
00-1043	Alcohol, 0-50/500 PPM (200 PPM Standard)
00-1044	Alcohol, 0-500/2000 PPM (2000 PPM Standard)
00-1057	Acetylene, 0-50/500 PPM (0-200 PPM Standard)
00-1169	Hydrogen peroxide, 200/2000 PPM (500 PPM Standard)
00-1181	NOx, 50/500 PPM (200 PPM Standard)
00-1285	Silane, 500/2000 PPB (1000 PPB Standard)
00-1349	Formaldehyde, 500/2000 PPM (1000 PPM Standard)
00-1358	Ozone, 200/1000 PPM (1000 PPM Standard)
00-1359	Chlorine dioxide, 200/1000 PPM (1000 PPM Standard)
00-1425	Chlorine dioxide, 1/5 PPM (low Cl2 response)
00-1450	Dimethylamine (DMA), 100/200 PPM (100 PPM Standard)
00-1455	Hydrogen bromide, 10/200 PPM (20 PPM Standard)
00-1469	Hydrogen sulfide, 200/1000 PPM (500 PPM Standard)

---

**Table 24. C18 gas generators**

---

<b>Part No.</b>	<b>Description</b>
00-1239	Chlorine
00-1240	Ammonia
00-1241	Carbon Monoxide
00-1243	Hydrogen Sulfide
00-1244	Sulfur Dioxide

---

**Table 25. Duct mount sensor accessories**

---

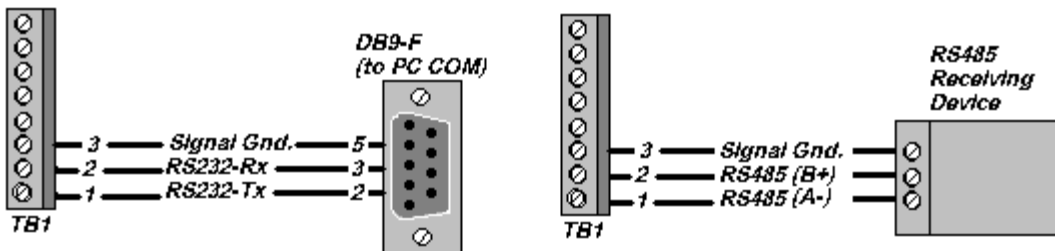
<b>Part No.</b>	<b>Description</b>
00-1388	H10 Duct Mount Adapter
00-1389	H10 Duct Mount Sensor Holder
46-0003	Sensor Gasket for (00-1389)
03-0290	Duct Mount Cable Assembly

---

## Appendix A. Printing Data Log Reports

### Serial Connection

The data log report may be sent to a printer or a computer over an RS232 connection, or in some cases, an RS485 connection.



### Communication Setup Page

Menu>Setup>System>Commun

```
▶Protocol=ASCII
Interface=RS232
Baud_Rate=9600
Parameters=N, 8, 1
```

The communication interface, baud rate, parity, number of data bits, and number of stop bits are configured on the Communication Setup page.

### Flow Control

The transmitter uses XON/XOFF flow control while sending a report. That is, once the data stream has begun, it will continue until the XOFF character (19) is received. After sitting idle, the report stream will begin again upon reception of the XON character (17).

An RS232 connection can support full duplex communication and is perfectly suited for XON/XOFF flow control. However, an RS485 connection is only half duplex. It cannot receive while it is transmitting and might miss the XOFF character, resulting in a buffer overflow at the receiving device.

A receiving device will send the XOFF character when its buffer is nearly full. Some older dot-matrix printers will send an XOFF because they have a small receive buffers and cannot process characters while the head is returning to start a new line. On the other hand, most computers have comparatively large buffers and can easily accept the report stream without sending an XOFF. Therefore, an RS485 connection may work for sending reports to a computer.

The D12 features an additional method to help avoid losing data due to buffer overflow problems on receiving devices that lack XON/XOFF capability (or have the capability but are using an RS485 connection). A programmable time delay of up to 10s may be inserted at the end of each report line. This permits the receiver time to process more characters in its buffer and avoid an overflow. However, this may be a method of trial and error until the proper delay setting is determined so that no characters are missing from the report.

**Report Format**

The format of the report is suitable for import into most spreadsheet programs and consists of a date column, a time column, and 1-30 columns for sample values. Each line of the report shows the date and time of the first sample. Samples appearing in subsequent columns (left to right) were recorded at equal sampling intervals.

In the top line of the example below, the first sample (S0) occurred at 22:40. The next sample to the right (S1) occurred at 22:41, followed by the next (S2) at 22:42, and so on. This pattern is repeated throughout the report.

Date	Time	S0	S1	S2	S3
07/09/06	22:40	0.01	0.00	0.02	0.01
07/09/06	22:44	-0.0	0.00	0.00	-0.0
07/09/06	22:48	0.01	TEST	TEST	TEST
07/09/06	22:52	TEST	TEST	TEST	TEST
07/09/06	22:56	TEST	TEST	TEST	TEST
07/09/06	23:00	0.07	0.06	0.07	0.06
07/09/06	23:04	0.06	0.05	0.06	0.06
07/09/06	23:08	0.05	0.05	0.04	0.05
07/09/06	23:12	0.06	0.05	0.05	0.04
07/09/06	23:16	0.01	0.01	0.01	0.00
07/09/06	23:20	0.00	0.00	0.00	-0.1
07/09/06	23:24	-0.0	0.00	0.00	0.00
07/09/06	23:28	----	----	----	----
07/09/06	23:32	----	----	----	----
07/09/06	23:36	----	----	----	----
07/09/06	23:40	FFFF	FFFF	0.02	0.02

The transmitter permits selection of either a CR (carriage return) or CR/LF (carriage return/line feed) as the EOL (end-of-line) characters. If the lines of the report appear to be printing over each other, choose the CR/LF option. If the lines appear to be double spaced, choose the CR option.

The number of sample columns appearing across the page is programmable from 1 to 30. This is designed so that a report may be directed to either a small carriage printer, or to a wider format device. A wider report will take less time to print because the date and time fields will be printed less frequently.

Samples reported are assumed to be in units of PPM, PPB, %, or %LEL, as determined by the gas concentration units appearing on the main display of the transmitter. Sample values outside of printing limits are forced to the following values.

Samples ...	Are forced to...
Less than -999	-999
Greater than 9999	9999

Symbols may appear in place of sample values, and are defined as follows.

Symbol	Description
----	No sample recorded. The transmitter was not on to record the sample, or has not yet recorded the sample.
FFFF	The transmitter was in fault during the sample.
TEST	The transmitter was in auto-test during the sample. This symbol appears only if the Log_Data variable in the Menu/Setup/Auto-T/Setup menu is set to "NO".
****	Data in the log is corrupted or unreliable.

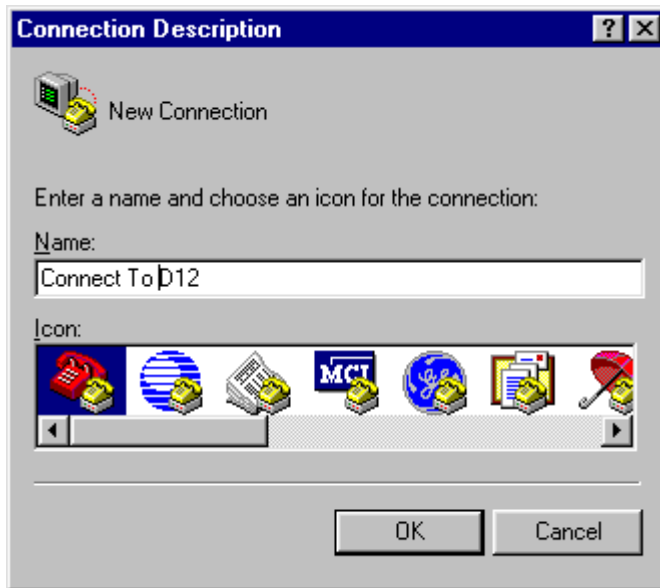
**Report Control**

The start date and length of the report may be controlled from the operator interface. The length of the report is limited to the number of days actually stored in the log. The report always begins at 00:00 on the start date, and continues forward for the number of days specified. If no data has yet been logged, the report will show four dashes (----) in place of samples.

### Example: Charting a Data Log Report

Start HyperTerminal by clicking **Start**, pointing to **Programs**, pointing to **Accessories**, pointing to **Communications**, clicking **HyperTerminal**, and then double-clicking **Hyperterm.exe**.

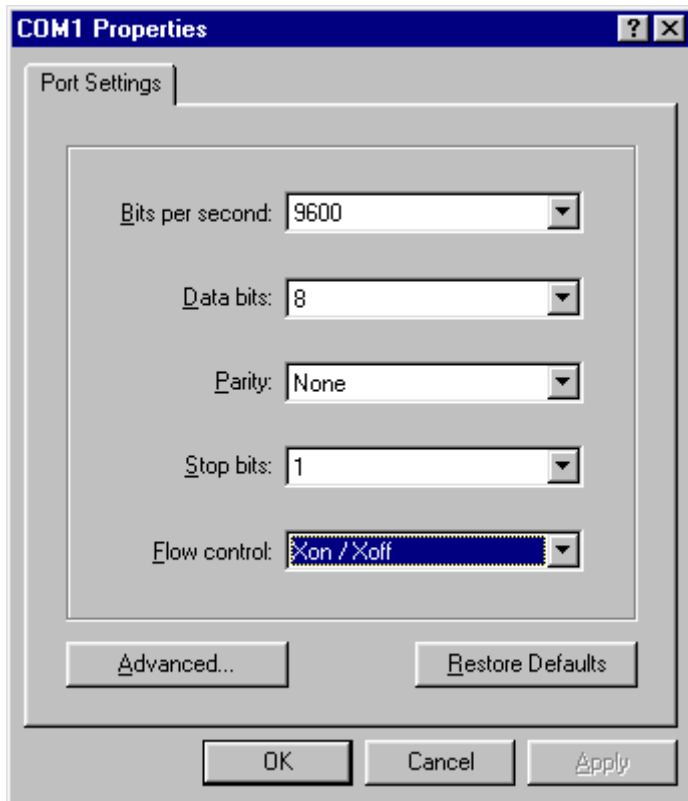
When the **Connection Description** dialog box appears, type in **Connect To D12**. If you wish, choose an icon by sliding the horizontal scroll bar over and clicking one of the selections. Click **OK** when ready.



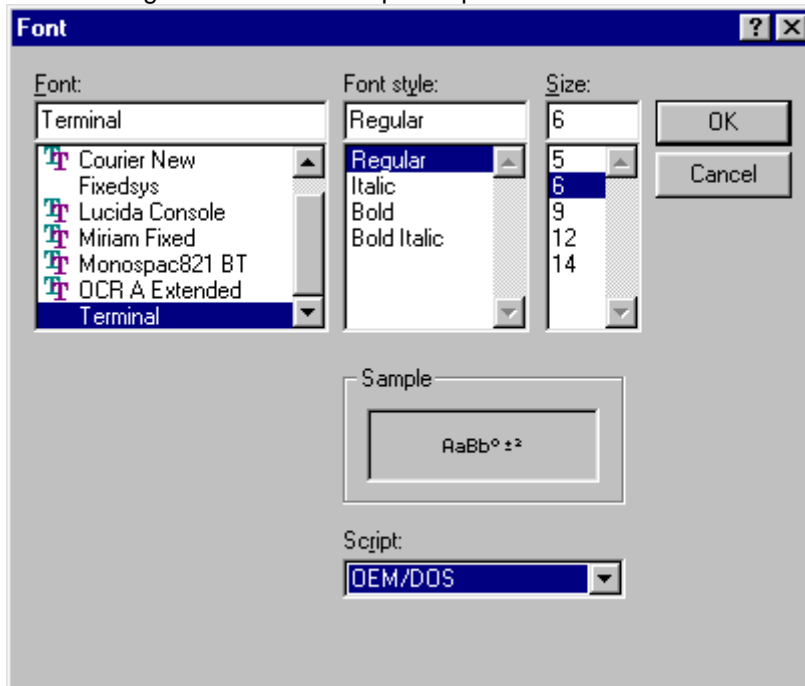
When the **Connect To** dialog appears, set **Connect using:** to **Direct to Com1** (or Direct to Com2 if you are using COM2) and click **OK**.



When the **COM1 Properties** dialog box appears, configure the Port Settings as shown below and click **OK**.

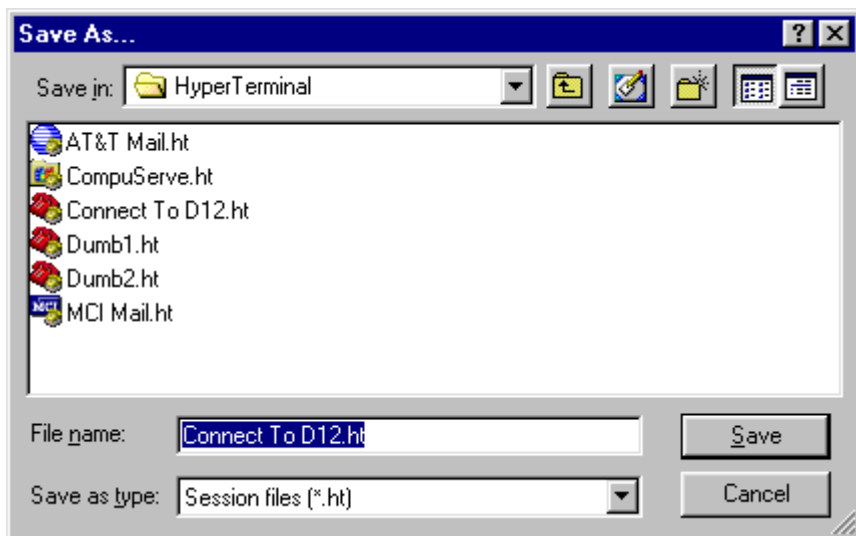


Click **View**, then click **Font** and configure the font settings as shown. This will insure that the data is presented in the terminal window without wrapping from line to line. You may need to experiment with these settings to obtain an acceptable presentation in the terminal window.

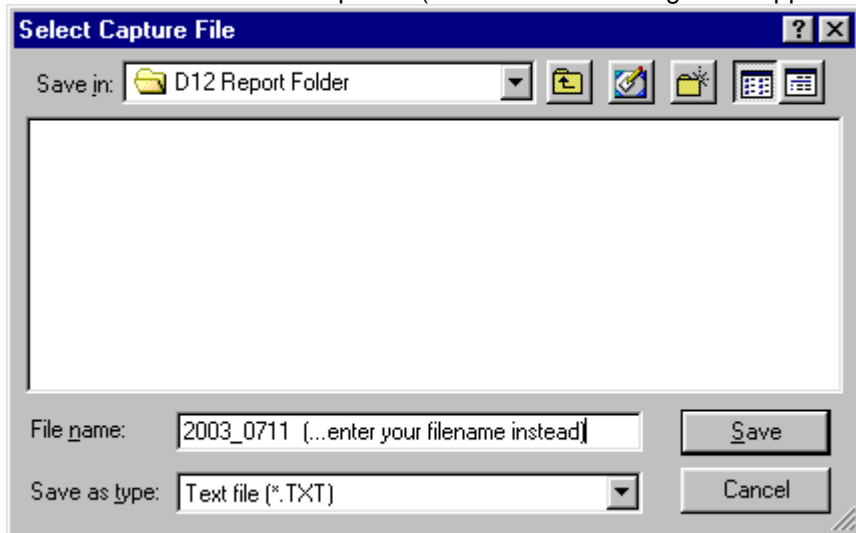


Click **OK** when finished.

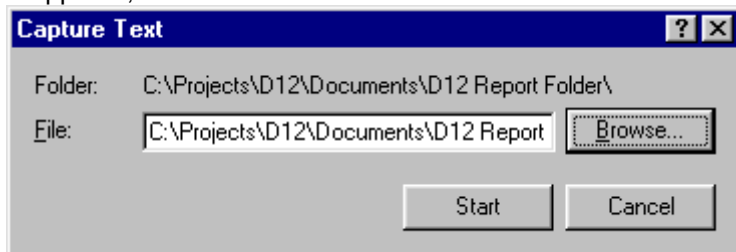
Click **File**, then click **Save As**, and click the **Save** button to store the settings as a HyperTerminal session file named Connect To D12.ht (the filename should automatically appear). You may later place this file on your desktop and simply click it to get this point automatically.



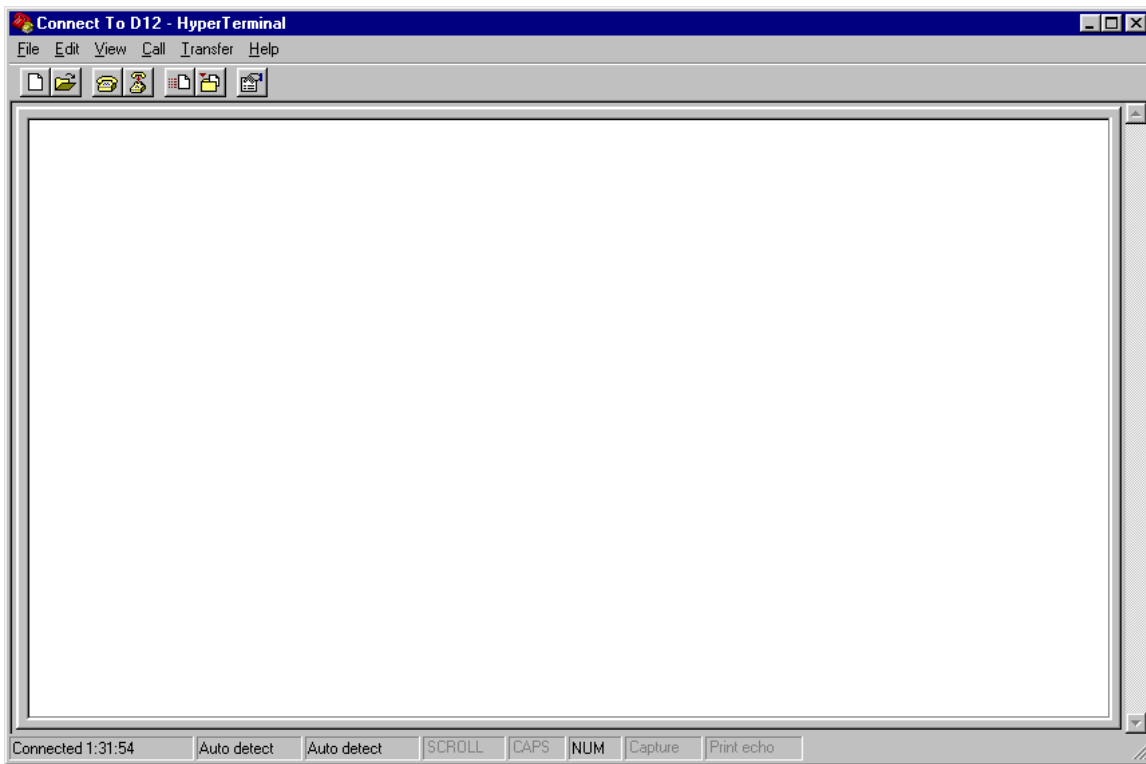
In order to chart the report data, it must be “captured” in a file and given a name. Click **Transfer** on the menu bar, click **Capture Text**, and then click the **Browse** button. Navigate to a folder and type the name of a file to store the report in (or choose an existing file to append the new report).



Click the **Save** button to return to the **Capture Text** dialog box. When the **Capture Text** dialog box reappears, click the **Start** button.



HyperTerminal is now ready to accept a report from the D12 transmitter and save it in a file. Note that data may appear in the terminal window (shown below) if the Connect To D12 session has been run previously, but this data will not appear in the file just opened.



### Starting the Report

Prior to sending a report to the computer, the system clock should be set and the data logger turned on to record at least one sample. In addition, the Log\_Data variable (in the Menu/Setup/Auto-T/Setup menu) should be set to NO if you prefer to see the symbol TEST and not gas concentration values during auto-test.

Configure the communication variables as shown below. Note that 9600 is the highest baud rate common to the D12 transmitter and the Hyperterminal program.

```
Menu>Setup>System>Commun
▶Protocol=ASCII
Interface=RS232
Baud_Rate=9600
Parameters=N,8,1
```

## **ATI Series D12 Toxic Gas Transmitter with H10 Smart Sensor**

---

Navigate to the DataLog page and select Print. You will not be allowed access if there are no samples in the log.

```
>Menu >Setup
Sensor   ▶DataLog
Alarms   Display
Auto-T   System
4-20mA

>Menu >Setup >DataLog
Setup
Review_Tabular
Review_Graphic
▶Print
```

Select the first (starting) date. This will automatically re-compute the maximum number of days shown of the report (variable values will most likely differ from yours).

```
>Menu >Setup >DataLog >Print
▶First=07/13/06
Days= 2 of 2
Page_Setup
Start Printing
```

Edit the Days variable if you prefer to reduce the length of the report, otherwise the entire report will be printed.

```
>Menu >Setup >DataLog >Print
First=07/13/06
▶Days= 1 of 2
Page_Setup
Start Printing
```

Select Page\_Setup and configure the Width, Eol, and EoIDly variables as shown. The Width variable controls the number of sample columns printed and is settable from 1 to 30. Since the Hyperterminal display is 80 characters wide, set this to 10 columns so that data does not wrap around to the next line. Set Eol for CR/LF, and EoIDly to 0.

```
>Menu >Setup >DataLog >Print
▶width= 10 Samp1s
Eol=CR/LF
EoIDly=0      ms
```

Escape from Page\_Setup and select Start\_Printing. "Printing" will begin flashing, and you may stop at any time by touching the Esc key.

```
>Menu >Setup >DataLog >Print
First=07/13/06
Days= 1 of 2
Page_Setup
▶Start Printing

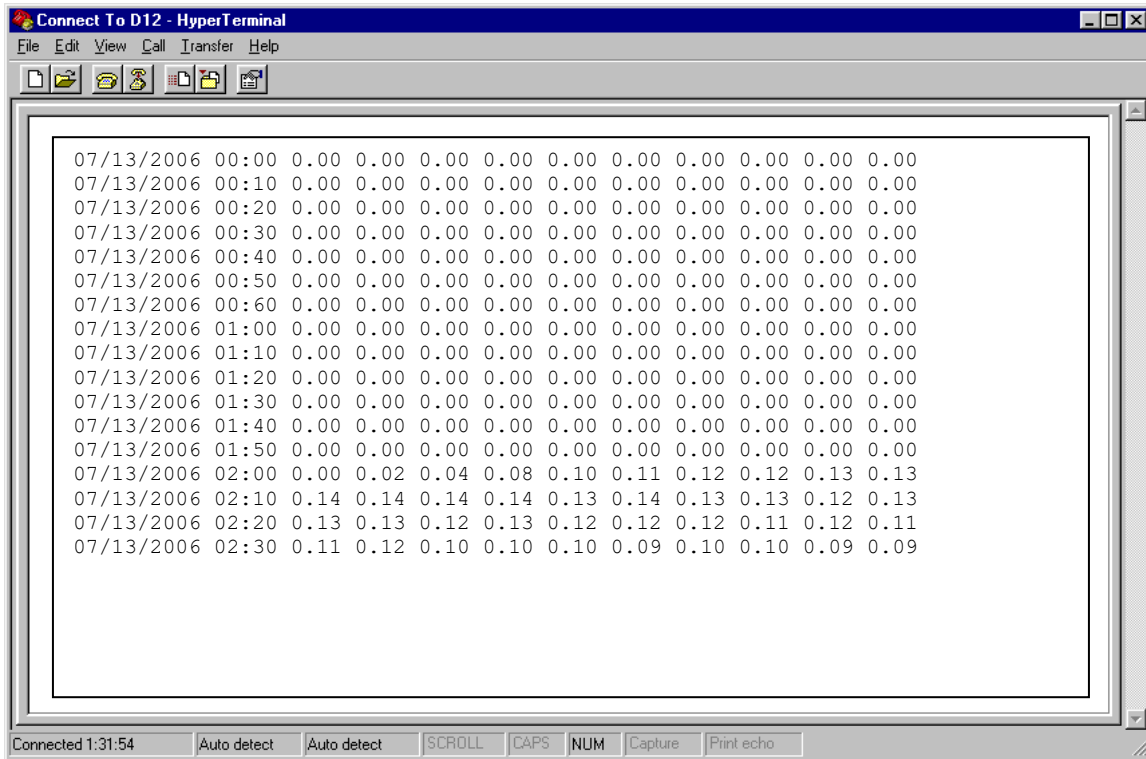
>Menu >Setup >DataLog >Print
First=07/13/06
Days= 1 of 2
Page_Setup
Printing
```



## ATI Series D12 Toxic Gas Transmitter with H10 Smart Sensor

---

The HyperTerminal terminal window should now begin to fill with lines from the report.



```
07/13/2006 00:00 0.00 0.00 0.00 0.00 0.00 0.00 0.00 0.00 0.00 0.00 0.00
07/13/2006 00:10 0.00 0.00 0.00 0.00 0.00 0.00 0.00 0.00 0.00 0.00 0.00
07/13/2006 00:20 0.00 0.00 0.00 0.00 0.00 0.00 0.00 0.00 0.00 0.00 0.00
07/13/2006 00:30 0.00 0.00 0.00 0.00 0.00 0.00 0.00 0.00 0.00 0.00 0.00
07/13/2006 00:40 0.00 0.00 0.00 0.00 0.00 0.00 0.00 0.00 0.00 0.00 0.00
07/13/2006 00:50 0.00 0.00 0.00 0.00 0.00 0.00 0.00 0.00 0.00 0.00 0.00
07/13/2006 00:60 0.00 0.00 0.00 0.00 0.00 0.00 0.00 0.00 0.00 0.00 0.00
07/13/2006 01:00 0.00 0.00 0.00 0.00 0.00 0.00 0.00 0.00 0.00 0.00 0.00
07/13/2006 01:10 0.00 0.00 0.00 0.00 0.00 0.00 0.00 0.00 0.00 0.00 0.00
07/13/2006 01:20 0.00 0.00 0.00 0.00 0.00 0.00 0.00 0.00 0.00 0.00 0.00
07/13/2006 01:30 0.00 0.00 0.00 0.00 0.00 0.00 0.00 0.00 0.00 0.00 0.00
07/13/2006 01:40 0.00 0.00 0.00 0.00 0.00 0.00 0.00 0.00 0.00 0.00 0.00
07/13/2006 01:50 0.00 0.00 0.00 0.00 0.00 0.00 0.00 0.00 0.00 0.00 0.00
07/13/2006 02:00 0.00 0.02 0.04 0.08 0.10 0.11 0.12 0.12 0.13 0.13
07/13/2006 02:10 0.14 0.14 0.14 0.14 0.13 0.14 0.13 0.13 0.12 0.13
07/13/2006 02:20 0.13 0.13 0.12 0.13 0.12 0.12 0.12 0.11 0.12 0.11
07/13/2006 02:30 0.11 0.12 0.10 0.10 0.10 0.09 0.10 0.10 0.09 0.09
```

When the transmitter has stopped printing (displays Start\_Printing), click **Transfer**, move down to **Capture Text** and click **Stop**. This will close the report file so that it may be opened by another program.

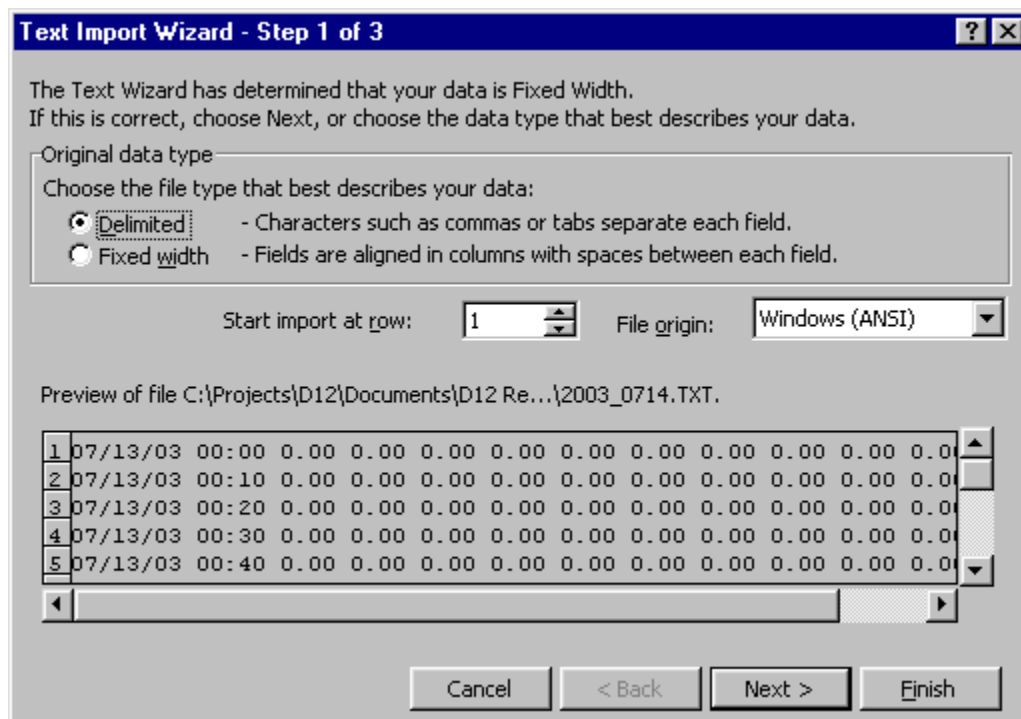
### Charting with Microsoft Excel

Microsoft Excel can be used to import data log reports and create useful and informative charts.

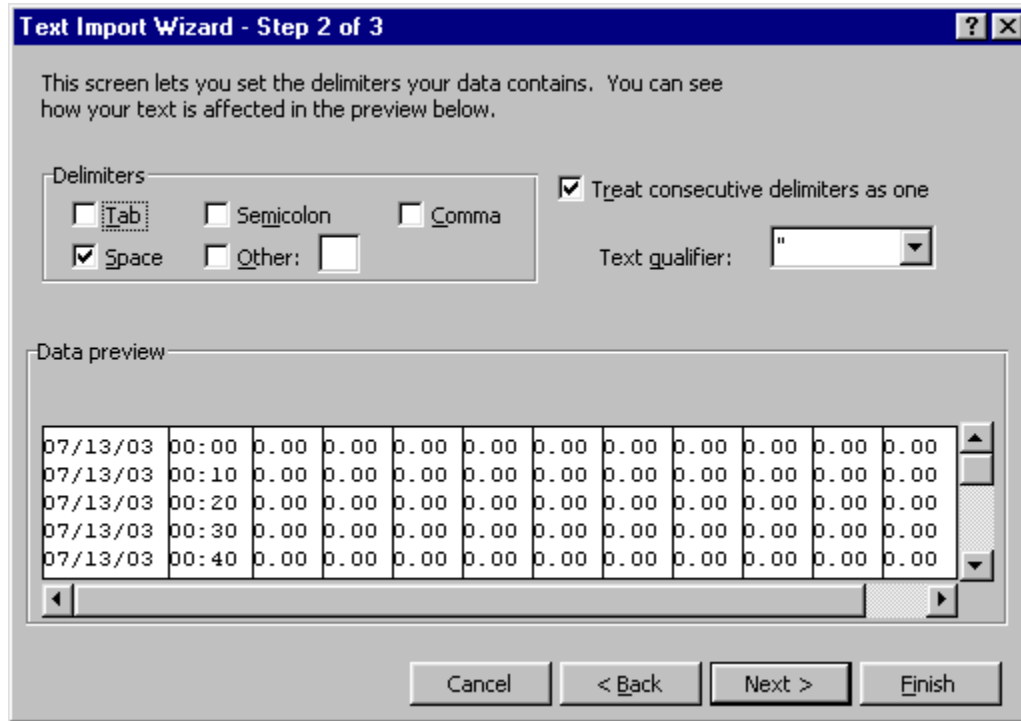
Start Excel by clicking **Start**, pointing to **Programs**, and clicking **Microsoft Excel**.

When Excel opens, click **File** and then click **Open**. Navigate to the data log report file you wish to chart and click **Open**. Excel will recognize the report as a text file and offer some configuration options.

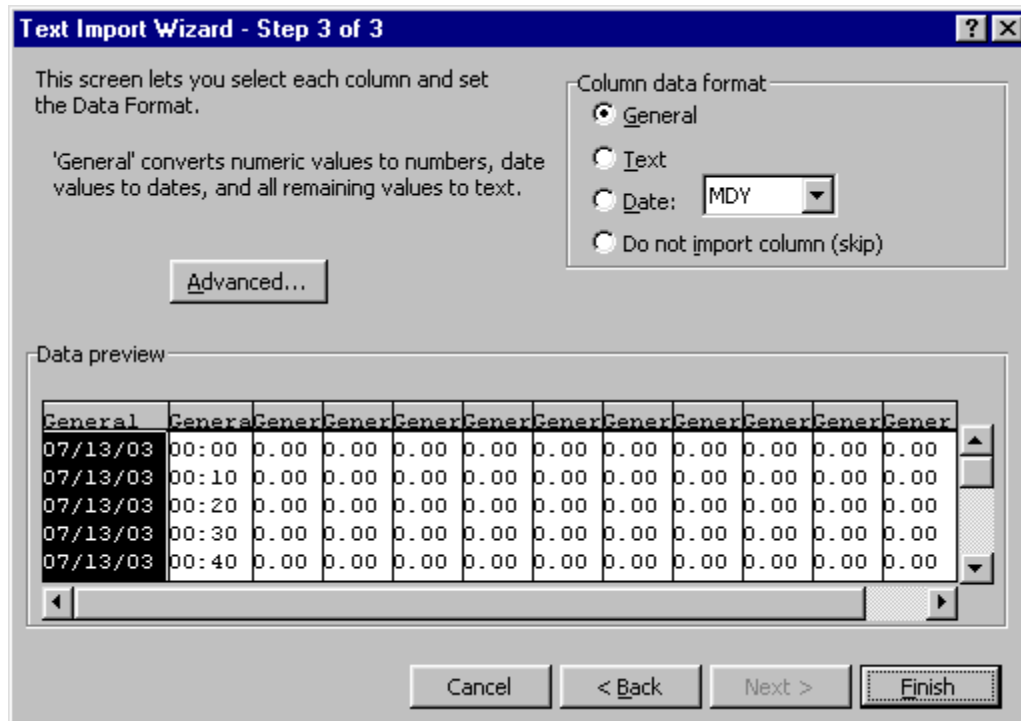
When the **Text Import Wizard – Step 1 of 3** appears, configure the settings as shown below and click **Next**. (Note that the values in your report file will be different than those shown below.)



When the **Text Import Wizard – Step 2 of 3** appears, configure the settings as shown below and click **Next**.



When the Text Import Wizard – Step 3 of 3 appears, click Finish.



# ATI Series D12 Toxic Gas Transmitter with H10 Smart Sensor

The report should appear as a spreadsheet resembling the format shown below. Of course the dates, times, and values will be different.

The screenshot shows a Microsoft Excel 2003 spreadsheet with the following data:

	A	B	C	D	E	F	G	H	I	J	K	L	M	N	O
1	7/13/03	0:00	0	0	0	0	0	0	0	0	0	0	0	0	0
2	7/13/03	0:10	0	0	0	0	0	0	0	0	0	0	0	0	0
3	7/13/03	0:20	0	0	0	0	0	0	0	0	0	0	0	0	0
4	7/13/03	0:30	0	0	0	0	0	0	0	0	0	0	0	0	0
5	7/13/03	0:40	0	0	0	0	0	0	0	0	0	0	0	0	0
6	7/13/03	0:50	0	0	0	0	0	0	0	0	0	0	0	0	0
7	7/13/03	1:00	0	0	0	0	0	0	0	0	0	0	0	0	0
8	7/13/03	1:10	0	0	0	0	0	0	0	0	0	0	0	0	0
9	7/13/03	1:20	0	0	0	0	0	0	0	0	0	0	0	0	0
10	7/13/03	1:30	0	0	0	0	0	0	0	0	0	0	0	0	0
11	7/13/03	1:40	0	0	0	0	0	0	0	0	0	0	0	0	0
12	7/13/03	1:50	0	0	0	0	0	0	0	0	0	0	0	0	0
13	7/13/03	2:00	0	0.02	0.04	0.08	0.1	0.11	0.12	0.12	0.13	0.13			
14	7/13/03	2:10	0.14	0.14	0.14	0.14	0.13	0.14	0.13	0.13	0.12	0.13			
15	7/13/03	2:20	0.13	0.13	0.12	0.13	0.12	0.12	0.12	0.11	0.12	0.11			
16	7/13/03	2:30	0.11	0.12	0.1	0.1	0.1	0.09	0.1	0.1	0.09	0.09			
17	7/13/03	2:40	0.09	0.09	0.1	0.09	0.08	0.09	0.08	0.08	0.08	0.07			
18	7/13/03	2:50	0.08	0.08	0.07	0.08	0.07	0.07	0.07	0.06	0.07	0.07			
19	7/13/03	3:00	0.06	0.06	0.06	0.07	0.06	0.06	0.06	0.05	0.05	0.06			
20	7/13/03	3:10	0.05	0.05	0.05	0.05	0.04	0.05	0.04	0.04	0.05	0.04			
21	7/13/03	3:20	0.04	0.04	0.04	0.04	0.03	0.04	0.04	0.04	0.03	0.03			
22	7/13/03	3:30	0.03	0.03	0.03	0.02	0.02	0.02	0.03	0.02	0.02	0.01			
23	7/13/03	3:40	0.01	0.01	0.01	0.02	0.01	0.01	0.01	0.01	0	0			
24	7/13/03	3:50	0	0	0	0	0	0	0	0	0	0			
25	7/13/03	4:00	0	0	0	0	0	0	0	0	0	0			
26	7/13/03	4:10	0	0	0	0	0	0	0	0	0	0			
27	7/13/03	4:20	0	0	0	0	0	0	0	0	0	0			
28	7/13/03	4:30	0	0	0	0	0	0	0	0	0	0			
29	7/13/03	4:40	0	0	0	0	0	0	0	0	0	0			
30	7/13/03	4:50	0	0	0	0	0	0	0	0	0	0			
31	7/13/03	5:00	0	0	0	0	0	0	0	0	0	0			
32	7/13/03	5:10	0	0	0	0	0	0	0	0	0	0			

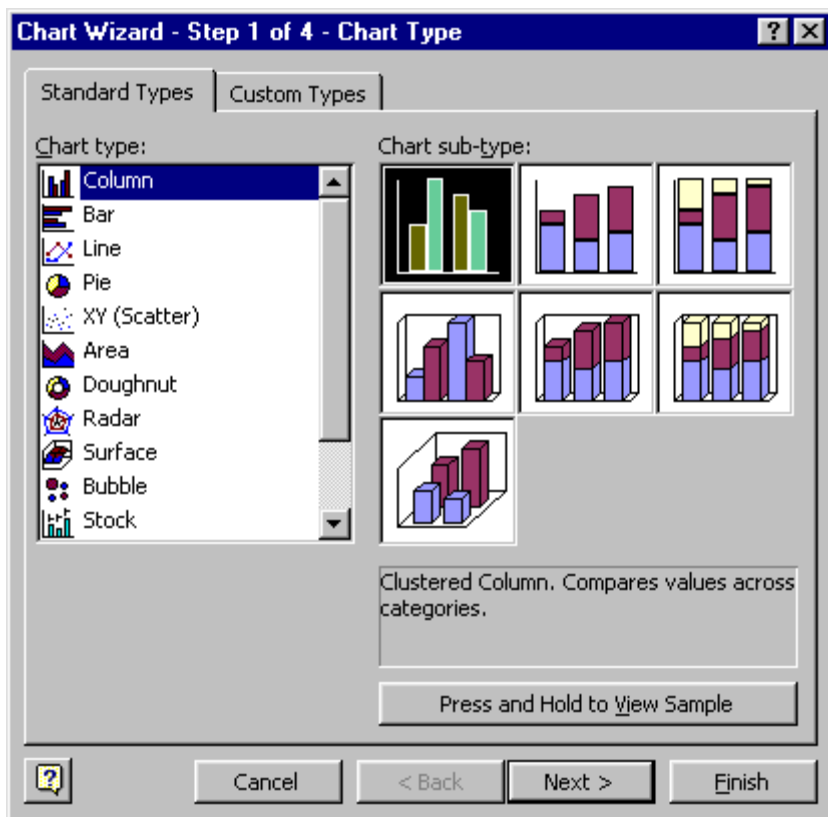
# ATI Series D12 Toxic Gas Transmitter with H10 Smart Sensor

To chart the report, select one full day of data by dragging the mouse cursor over the region to be charted. Notice that this region begins in the time of day column and extends across each of the sample columns.

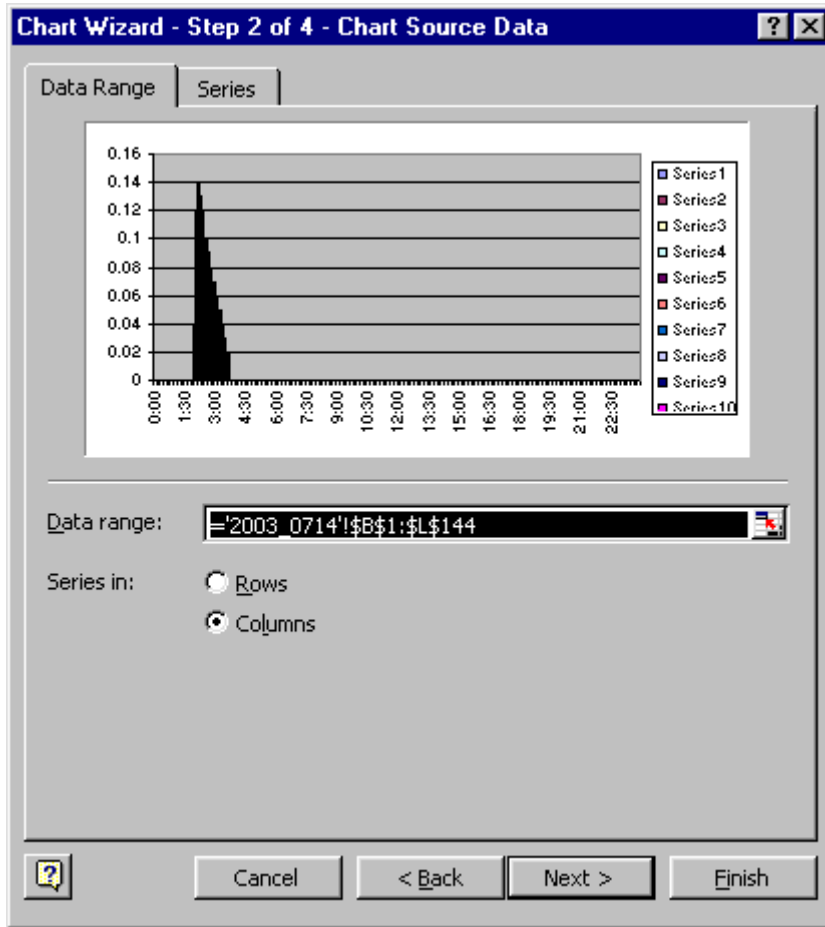
	A	B	C	D	E	F	G	H	I	J	K	L	M	N	O
1	7/13/03	0:00	0	0	0	0	0	0	0	0	0	0			
2	7/13/03	0:10	0	0	0	0	0	0	0	0	0	0			
3	7/13/03	0:20	0	0	0	0	0	0	0	0	0	0			
4	7/13/03	0:30	0	0	0	0	0	0	0	0	0	0			
5	7/13/03	0:40	0	0	0	0	0	0	0	0	0	0			
6	7/13/03	0:50	0	0	0	0	0	0	0	0	0	0			
7	7/13/03	1:00	0	0	0	0	0	0	0	0	0	0			
8	7/13/03	1:10	0	0	0	0	0	0	0	0	0	0			
9	7/13/03	1:20	0	0	0	0	0	0	0	0	0	0			
10	7/13/03	1:30	0	0	0	0	0	0	0	0	0	0			
11	7/13/03	1:40	0	0	0	0	0	0	0	0	0	0			
12	7/13/03	1:50	0	0	0	0	0	0	0	0	0	0			
13	7/13/03	2:00	0	0.02	0.04	0.08	0.1	0.11	0.12	0.12	0.13	0.13			
14	7/13/03	2:10	0.14	0.14	0.14	0.14	0.13	0.14	0.13	0.13	0.12	0.13			
15	7/13/03	2:20	0.13	0.13	0.12	0.13	0.12	0.12	0.12	0.11	0.12	0.11			
16	7/13/03	2:30	0.11	0.12	0.1	0.1	0.1	0.09	0.1	0.1	0.09	0.09			
17	7/13/03	2:40	0.09	0.09	0.1	0.09	0.08	0.09	0.08	0.08	0.08	0.07			
18	7/13/03	2:50	0.08	0.08	0.07	0.08	0.07	0.07	0.07	0.06	0.06	0.07			
19	7/13/03	3:00	0.06	0.06	0.06	0.07	0.06	0.06	0.06	0.05	0.05	0.06			
20	7/13/03	3:10	0.05	0.05	0.05	0.05	0.04	0.05	0.04	0.04	0.05	0.04			
21	7/13/03	3:20	0.04	0.04	0.04	0.04	0.03	0.04	0.04	0.04	0.03	0.03			
22	7/13/03	3:30	0.03	0.03	0.03	0.02	0.02	0.02	0.03	0.02	0.02	0.01			
23	7/13/03	3:40	0.01	0.01	0.01	0.02	0.01	0.01	0.01	0.01	0	0			
24	7/13/03	3:50	0	0	0	0	0	0	0	0	0	0			
25	7/13/03	4:00	0	0	0	0	0	0	0	0	0	0			
26	7/13/03	4:10	0	0	0	0	0	0	0	0	0	0			
27	7/13/03	4:20	0	0	0	0	0	0	0	0	0	0			
28	7/13/03	4:30	0	0	0	0	0	0	0	0	0	0			
29	7/13/03	4:40	0	0	0	0	0	0	0	0	0	0			
30	7/13/03	4:50	0	0	0	0	0	0	0	0	0	0			
31	7/13/03	5:00	0	0	0	0	0	0	0	0	0	0			
32	7/13/03	5:10	0	0	0	0	0	0	0	0	0	0			

After selecting the region, click Insert and then Chart (or click the Chart icon directly from the toolbar).

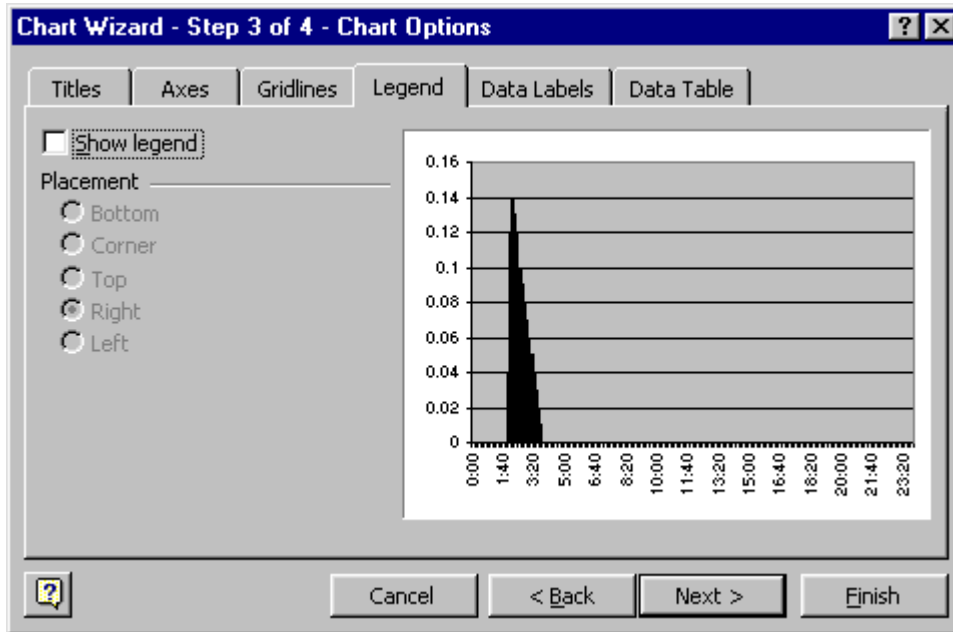
When the **Chart Type** dialog appears, click on **Column**, and click **Next**.



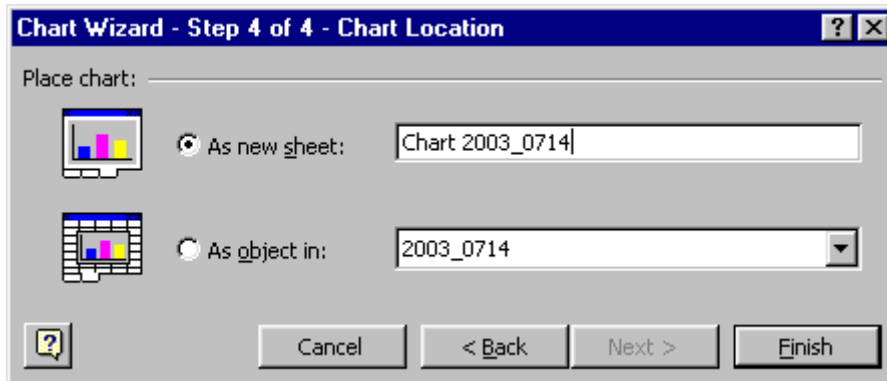
When the **Chart Source Data** dialog appears, click **Next**.



When the **Chart Options** dialog appears, click off the **Show legend** option, and click **Next**.



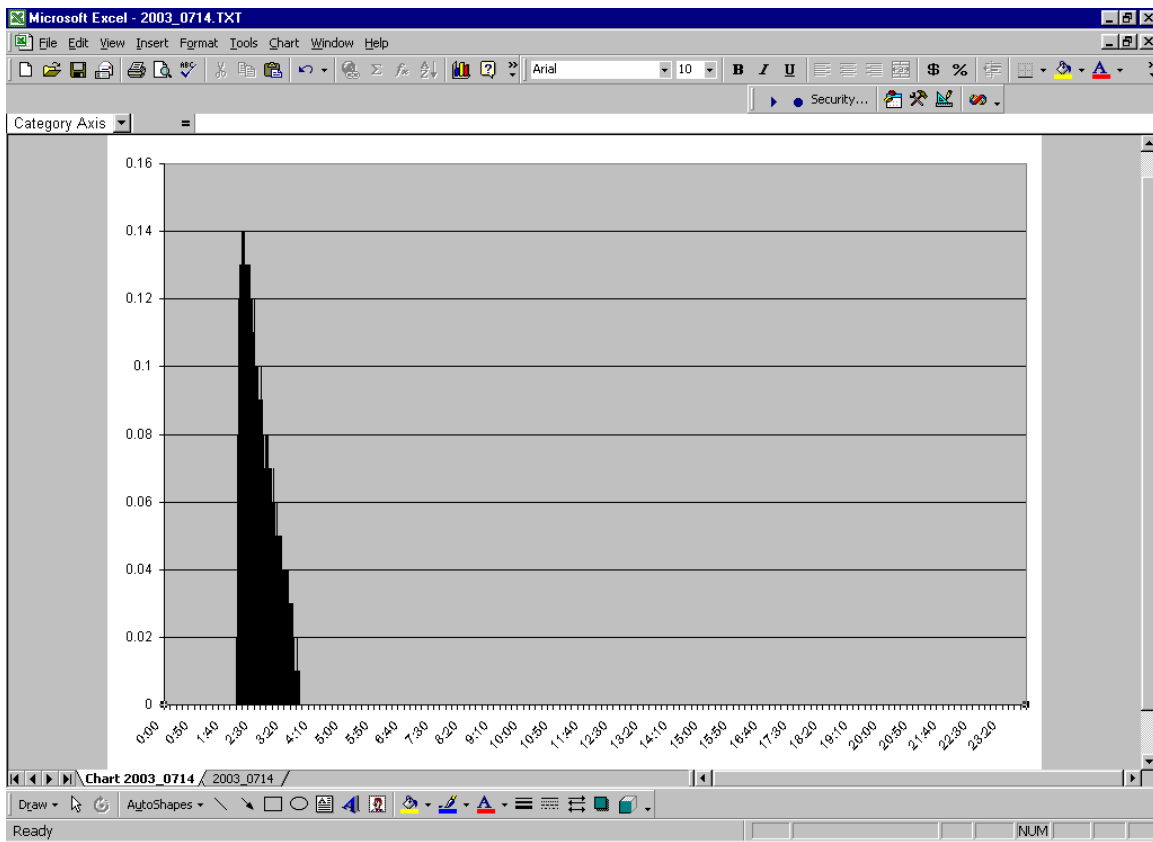
When the **Chart Location** dialog appears, click the **As new sheet** radio button and enter the name of a new sheet to store the chart in. Alternately, you may click the **As object in** radio button to place the chart onto the sheet you have just created.





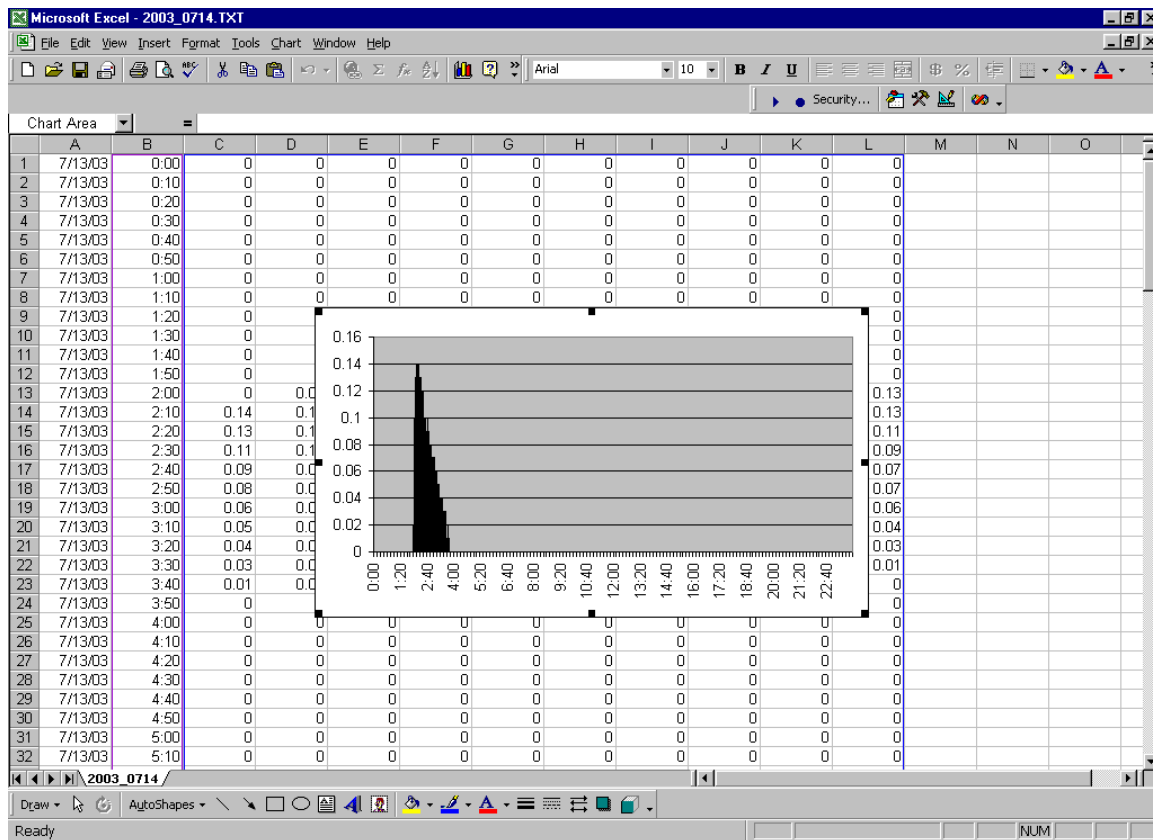
## ATI Series D12 Toxic Gas Transmitter with H10 Smart Sensor

If you have previously clicked the **As new sheet** radio button, the chart will appear on the new sheet named above. You may now move between the new sheet and the old sheet by clicking the sheet tabs that appear just below the chart display.



## ATI Series D12 Toxic Gas Transmitter with H10 Smart Sensor

If you have previously clicked the **As object in:** radio button, the chart will appear on the existing sheet.



Finally, click **File**, then **Save** to store the chart.

Once the chart has been created, you may wish to rescale it, title it, and print it. These features are detailed in Microsoft Excel Help and are beyond the scope of this document.

# Product Warranty

Analytical Technology, Inc. (Manufacturer) warrants to the Customer that if any part(s) of the Manufacturer's products prove to be defective in materials or workmanship within the earlier of 18 months after the date of shipment or 12 months after the date of start-up, such defective parts will be repaired or replaced free of charge. Inspection and repairs to products thought to be defective within the warranty period will be completed at the Manufacturer's facilities in Collegeville, PA. Products on which warranty repairs are required shall be shipped freight prepaid to the Manufacturer. The product(s) will be returned freight prepaid if it is determined by the manufacturer that the part(s) failed due to defective materials or workmanship.

This warranty does not cover consumable items, batteries, or wear items subject to periodic replacement including lamps and fuses.

Gas sensors, except oxygen sensors, are covered by this warranty, but are subject to inspection for evidence of extended exposure to excessive gas concentrations. Should inspection indicate that sensors have been expended rather than failed prematurely, the warranty shall not apply.

The Manufacturer assumes no liability for consequential damages of any kind, and the buyer by acceptance of this equipment will assume all liability for the consequences of its use or misuse by the Customer, his employees, or others. A defect within the meaning of this warranty is any part of any piece of a Manufacturer's product which shall, when such part is capable of being renewed, repaired, or replaced, operate to condemn such piece of equipment.

This warranty is in lieu of all other warranties (including without limiting the generality of the foregoing warranties of merchantability and fitness for a particular purpose), guarantees, obligations or liabilities expressed or implied by the Manufacturer or its representatives and by statute or rule of law.

This warranty is void if the Manufacturer's product(s) has been subject to misuse or abuse, or has not been operated or stored in accordance with instructions or if the serial number has been removed.

Analytical Technology, Inc. makes no other warranty expressed or implied except as stated above.

## WATER QUALITY MONITORS

Dissolved Oxygen  
Free Chlorine  
Combined Chlorine  
Total Chlorine  
Residual Chlorine Dioxide  
Potassium Permanganate  
Dissolved Ozone  
pH/ORP  
Conductivity  
Hydrogen Peroxide  
Peracetic Acid  
Dissolved Sulfide  
Residual Sulfite  
Fluoride  
Dissolved Ammonia  
Turbidity  
Suspended Solids  
Sludge Blanket Level  
MetriNet Distribution Monitor

## GAS DETECTION PRODUCTS

NH<sub>3</sub> Ammonia  
CO Carbon Monoxide  
H<sub>2</sub> Hydrogen  
NO Nitric Oxide  
O<sub>2</sub> Oxygen  
CO Cl<sub>2</sub> Phosgene  
Br<sub>2</sub> Bromine  
Cl<sub>2</sub> Chlorine  
ClO<sub>2</sub> Chlorine Dioxide  
F<sub>2</sub> Fluorine  
I<sub>2</sub> Iodine  
H<sub>x</sub> Acid Gases  
C<sub>2</sub>H<sub>4</sub>O Ethylene Oxide  
C<sub>2</sub>H<sub>6</sub>O Alcohol  
O<sub>3</sub> Ozone  
CH<sub>4</sub> Methane  
(Combustible Gas)  
H<sub>2</sub>O<sub>2</sub> Hydrogen Peroxide  
HCl Hydrogen Chloride  
HCN Hydrogen Cyanide  
HF Hydrogen Fluoride  
H<sub>2</sub>S Hydrogen Sulfide  
NO<sub>2</sub> Nitrogen Dioxide  
NO<sub>x</sub> Oxides of Nitrogen  
SO<sub>2</sub> Sulfur Dioxide  
H<sub>2</sub>Se Hydrogen Selenide  
B<sub>2</sub>H<sub>6</sub> Diborane  
GeH<sub>4</sub> Germane  
AsH<sub>3</sub> Arsine  
PH<sub>3</sub> Phosphine  
SiH<sub>4</sub> Silane  
HCHO Formaldehyde  
C<sub>2</sub>H<sub>4</sub>O<sub>3</sub> Peracetic Acid  
DMA Dimethylamine

