

▶ B12-H2O2

H2O2 fixed detector (hydrogen peroxide)



Product description

The B12 detector is a 2-wire transmitter made up of a corrosion-resistant sensor, specially designed to operate in an environment where the relative humidity can reach 100%.

This transmitter is ideal for the detection of hydrogen peroxide, used for example as a bleaching agent in the pharmaceutical or food industry, or as a disinfectant.

The B12 detector is available with or without a display, the measurement range extending from 0 to 10 ppm.

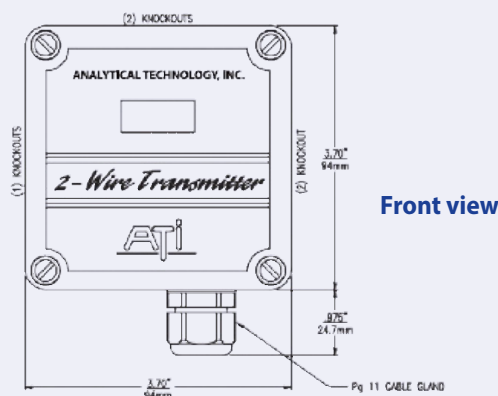
These transmitters are supplied with 24V and are equipped with a 4-20mA output

- Direct measurement
- Minimum maintenance
- Quick response time
- Optional LCD display
- Low consumption

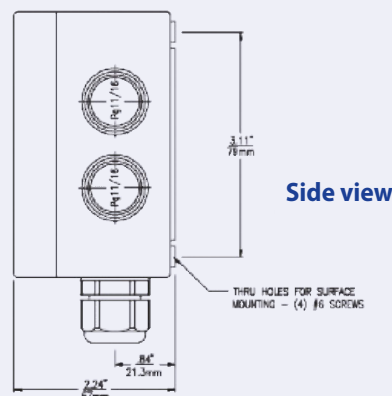
Technical specifications

- Detected gases:** hydrogen peroxide (H2O2)
Precision: +/- 5% of the value, but limits based on the calibration gas accuracy
Repeatability: +/- 1% of span
Linearity: +/- 5% of span
Output: 4-20mA
Power supply: 12-28 VDC
Load resistance: 675 ohms maximum at 24VDC
Housing: NEMA 4X polystyrene, optional LCD display
Settings: by potentiometer (zero and sensitivity) mounted on the electronic card
Operating temperature: from 0 to + 50 °C
Sensor material: Noryl
Weight: 0.4 kg

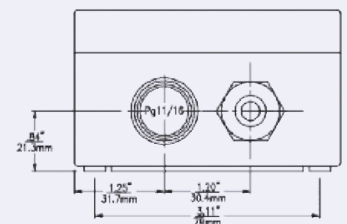
Description	Code
Low concentration H2O2 sensor (0-10 / 100 ppm) with display	B103899
Low concentration H2O2 sensor (0-10 / 100 ppm) without display	B103901
High concentration H2O2 sensor (0-200 / 2000 ppm) with display	C103899
High concentration H2O2 sensor (0-200 / 2000 ppm) without display	C103901



Front view



Side view



Bottom view