

# CSC300 (Freons - Solvents & VOCs)

Semiconductor sensor technology 4-20mA detector/transmitter  
134A – R11 – R12 – R22 – R23 – R141 – R142B – R404 – solvents & VOCs



## INTRODUCTION

### Flexibility and reduced maintenance

Satisfying your safety requirements means making genuine technical breakthroughs as well as providing clear economic value. Sensors integrating zero and sensitivity parameters are used so that maintenance is quick and safe.

The principle of the pre-calibrated sensor unit allows maintenance by a single person and significant reduction in costs.

### Clear readability

- Highly sensitive, lighted display allows local reading
- Effective power-up indication by indicator lights
- Indication of maintenance or fault function

### High-Level technology

High performance semiconductor sensors for detection in safe area of:

- FREONS: 134A, R11, R12, R22, R23, R141, R142B, R404, contact us for others
- SOLVENTS: ethanol, toluene, trichlorethylene, xylene
- VOCs (volatile organic compounds)

### Heavy-duty

- Use of polycarbonate and stainless steel mounting hardware
- Resistant to corrosive agents
- Durable housing

### Specifically adapted options

- Removable filters, interchangeable without opening the housing (which is dust-proof, condensation-proof and water-resistant)
- Splash guard
- Gas collector cone

## TECHNICAL FEATURES

### For use in safe area only

**Power supply:** 15 to 32 V DC (24V DC nominal)

**Output:** 4-20mA analog output (fault < 1mA, maintenance = 2mA)

**Power consumption:** 100mA

**Linearization card:** optional on CO2 version

**Dimensions:** 130 x 136 x 69 (l x h x d) in mm

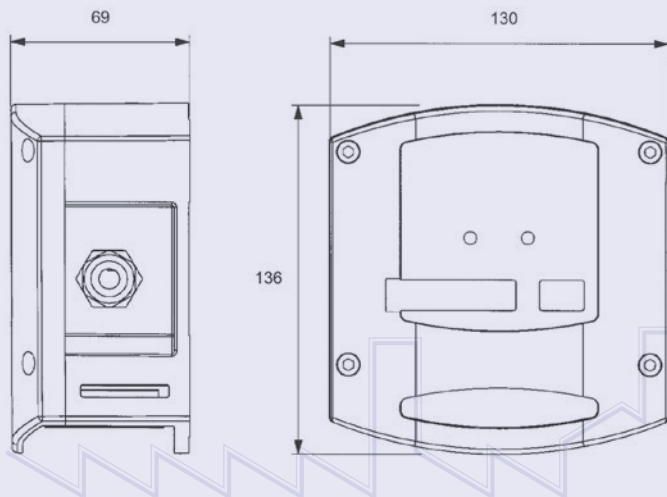
**Enclosure:** Polycarbonate housing

**Sealing:** IP 66, NEMA 3 & 3R

### Certification:

CCSA – Class 4812 10 – Signal Appliances-Detectors

CSAUS – Class 4812 86 - Signal Appliances-Miscellaneous



## PART NUMBERS

CODE	MEASURING RANGE	PART NUMBER
134A	0 - 2000 ppm	WC30F13A
R11	0 - 1 %vol.	WC30F13B
R12	0 - 1 %vol.	WC30F22A
R22	0 - 2000 ppm	WC30F22B
R23	0 - 1 %vol.	WC30F13C
R141	0 - 2000 ppm	WC30F13D
R142B	0 - 2000 ppm	WC30F13E
R404	0 - 2000 ppm	WC30F13F
COV	0 - 500 ppm	WC30COV
Ethanol	0 - 5000 ppm	WC30SOLA
Toluene	0 - 2000 ppm	WC30SOLB
Trichlorethylene	0 - 500 ppm	WC30SOLC
Xylene	0 - 2000 ppm	WC30SOLD

Non-contractual document. © Any reproduction, in whole or in part, by whatsoever process, is only permitted with Gazdetect approval.