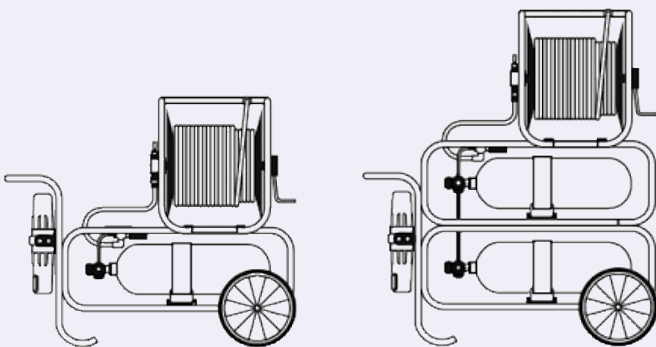


► Modulair

Breathing air cart



Modulair configuration



► M-FRM-2-2-HRT-AFU

Mobile 2-cylinders trolley with integrated hose reel and additional AFU with MP whistle

► M-FRM-4-2-HRT-AFU

Mobile 4-cylinders trolley with integrated reel and additional AFU with MP whistle



► 6.0 liters, 300 bar steel cylinder

- CE specification, painted to BS specification
- Cylinder valve attached with safety lock cylinder valve
- 1640 liters air capacity for a 41 minutes autonomy (calculation based on a 40 l/min consumption)
- Dimensions: 140mm diameter x 610mm long – Weight fully loaded: 11.9kg

Product description

The **Modulair** is a compact and easy-to-use air cart system, developed to provide a portable breathable air supply in hard-to-reach spaces.

Versatile and sturdy, it consists of a lightweight stainless steel hose reel and cylinder holder that can be used separately.

The cylinder holder is designed to hold two cylinders and, if required, another cylinder holder can be mounted on top to connect two additional cylinders.

This device, in combination with a high performance 300 bar pneumatic system delivering 1000 liters of breathable air per minute, allows four people to work at the same time.

The choice of operating duration is simplified by quick cylinder strap adjustment and automatic high pressure cylinder fittings, which allow the installation of various sizes cylinders (200 or 300 bar).

Thanks to the non-return valves installed on the cylinder fittings, these can be replaced independently without having to interrupt the trolley operation.

In order to protect the device against any air supply pressure drop, the **Modulair** can be fitted with a medium pressure warning whistle.

Activation of the alarm signals personnel to switch to the air supply reserve, replace cylinders or follow the evacuation procedure, as the case may be.

► Modulair main assets

Application: most of exterior works where no fixed breathing compressed air network is available

Number of users: one cart allows up to 4 people working at the same time

Number of cylinders: based on the duration of the work, the cart can be equipped from 1 to 4 compressed air cylinders

Specifications: almost zero weight for the user and easy to transport thanks to the trolley's wheels

Pneumatic system: high performance, compliant to the most demanding standards